

SHIM FOR O400-40 HINGE

O411



Material:

Reinforced polyamide.
Oils and greases resistant.

Surface:

Satin.

Colour:

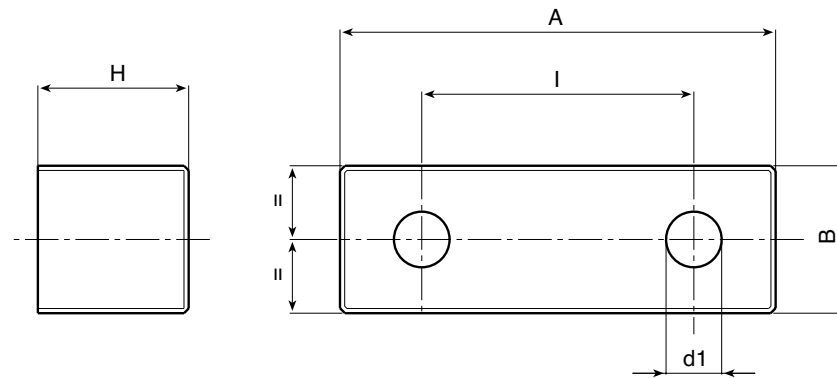
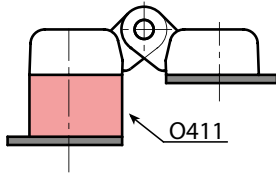
Black (RAL 9011).

Hole:

Right through smooth hole obtained by moulding the plastic.

SPECIAL REQUESTS:

- It is possible to supply colours as shown in the table on page O-19, on request and for quantities.



	art.	I	A	B	H	d1	Δ g
	O41140.TG08,501	40	65	22	22,5	8,5	24

Presumable presence in the stock in %
 90% 40% 5%
 BOTECO® - © All right reserved - www.boteco.it
 Any unauthorized reproduction is strictly forbidden



BOTECO

O HINGES