

# P903

P915 - P916  
P917 - P918

## FLOOR-ANCHOR MOUNTING FOOT WITH NON-SLIP TPV BASE

### P915 Version - Mounting foot with ground fixing with stud type A - R12,5 - and non-slip TPV base

Art.	D	H	I	H1	H3	h	A	E	s	d2	d	R	d1	Q	g	F1 (N)
P915080.TM10X..01	80	20	54	25,5	28,5	16	20	13	5	9	70	12,5	M10	45-70-100	97-109-146	10.000
P915080.TM12X..01	80	20	54	25,5	28,5	16	20	13	5	9	70	12,5	M12	45-70-100	107-124-168	10.000

Enter the stud length in the two . . of the code number.

### P903 Version - Mounting foot with ground fixing with stud type A - R15 - and non-slip TPV base

Art.	D	H	I	H1	H3	h	A	E	s	d2	d	R	d1	Q	g	F1 (N)
P903080.TM12X..01	80	20	54	25,5	28,5	16	20	16	6,5	9	70	15	M12	50-70-90-110	pag.29	13.000
P903080.TM14X..01	80	20	54	25,5	28,5	16	20	16	6,5	9	70	15	M14	50-70-90-110-130-150	pag.29	13.000
P903080.TM16X..01	80	20	54	25,5	28,5	16	20	16	6,5	9	70	15	M16	50-70-90-110-130-150-170-190	pag.29	13.000
P903105.TM12X..01	105	22	74	28	32	18,5	21	16	6,5	11	94	15	M12	50-70-90-110	pag.29	15.000
P903105.TM14X..01	105	22	74	28	32	18,5	21	16	6,5	11	94	15	M14	50-70-90-110-130-150	pag.29	15.000
P903105.TM16X..01	105	22	74	28	32	18,5	21	16	6,5	11	94	15	M16	50-70-90-110-130-150-170-190	pag.29	15.000
P903130.TM12X..01	130	24	99	30	35	20	21	16	6,5	13	118	15	M12	50-70-90-110	pag.29	17.000
P903130.TM14X..01	130	24	99	30	35	20	21	16	6,5	13	118	15	M14	50-70-90-110-130-150	pag.29	17.000
P903130.TM16X..01	130	24	99	30	35	20	21	16	6,5	13	118	15	M16	50-70-90-110-130-150-170-190	pag.29	17.000

Enter the stud length in the two . . of the code number. It's possible to have different lengths, by customers requests. Minimum 100 pieces.

### P916 Version - Mounting foot with ground fixing with stud type B - R12,5 - and non-slip TPV base

Art.	D	H	I	H1	H3	h	A	E	s	d2	d	R	d1	Q	g	F1 (N)
P916080.TM16X..01	80	20	54	25,5	28,5	16	20	13	7	9	70	12,5	M16	50-70-90-110-130-150-170	pag.30	10.000

Enter the stud length in the two . . of the code number. It's possible to have different lengths, by customers requests. Minimum 100 pieces.

### P917 Version - Mounting foot with ground fixing with stud type B - R15 - and non-slip TPV base

Art.	D	H	I	H1	H3	h	A	E	s	d2	d	R	d1	Q	g	F1 (N)
P917080.TM20X..01	80	20	54	25,5	28,5	16	20	16	7	9	70	15	M20	50-70-90-110-130-150-170-190-210	*	17.000
P917105.TM20X..01	105	22	74	28	32	18,5	21	16	7	11	94	15	M20	50-70-90-110-130-150-170-190-210	*	17.000
P917130.TM20X..01	130	24	99	30	35	20	21	16	7	13	118	15	M20	50-70-90-110-130-150-170-190-210	*	17.000
P917080.TM24X..01	80	20	54	25,5	28,5	16	20	19	7	9	70	15	M24	50-70-90-110-130-150-170-190-210	*	17.000
P917105.TM24X..01	105	22	74	28	32	18,5	21	19	7	11	94	15	M24	50-70-90-110-130-150-170-190-210	*	17.000
P917130.TM24X..01	130	24	99	30	35	20	21	19	7	13	118	15	M24	50-70-90-110-130-150-170-190-210	*	17.000

Enter the stud length in the two . . of the code number. It's possible to have different lengths, by customers requests. Minimum 100 pieces.

### P918 Version - Mounting foot with ground fixing with stud type B - R24 - and non-slip TPV base

Art.	D	H	I	H1	H3	h	A	E	s	d2	d	R	d1	Q	g	F1 (N)
P918080.TM24X..01	80	20	54	25,5	28,5	16	20	19	10	9	70	24	M24	70-90-110-130-150-170	pag.30	25.000
P918080.TM30X..01	80	20	54	25,5	28,5	16	20	27	12	9	70	24	M30	90-110-130-150-170-190-210	pag.30	25.000
P918105.TM24X..01	105	22	74	28	32	18,5	21	19	10	11	94	24	M24	70-90-110-130-150-170	pag.30	25.000
P918105.TM30X..01	105	22	74	28	32	18,5	21	27	12	11	94	24	M30	90-110-130-150-170-190-210	pag.30	25.000
P918130.TM24X..01	130	24	99	30	35	20	21	19	10	13	118	24	M24	70-90-110-130-150-170	pag.30	25.000
P918130.TM30X..01	130	24	99	30	35	20	21	27	12	13	118	24	M30	90-110-130-150-170-190-210	pag.30	25.000

Enter the stud length in the two . . of the code number. It's possible to have different lengths, by customers requests. Minimum 100 pieces.

P - MOUNTING FEET

ver. PUK.16-0613



BOTECA

P - 16

Presumable presence in the stock in %

(☹) 90% (😊) 40% (😐) 5% (☹)

www.boteco.it - © All right reserved - BOTECA®

Any unauthorized reproduction is strictly forbidden

**Material:**

Reinforced polyamide.  
Oils and greases resistant.

**Surface:**

Satin.

**Colour:**

Black (RAL 9011).

**Insert:**

Zinc plated steel articulated, threaded stud.

**Anchoring to the Floor:**

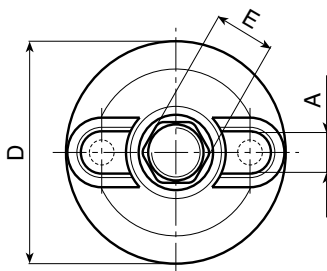
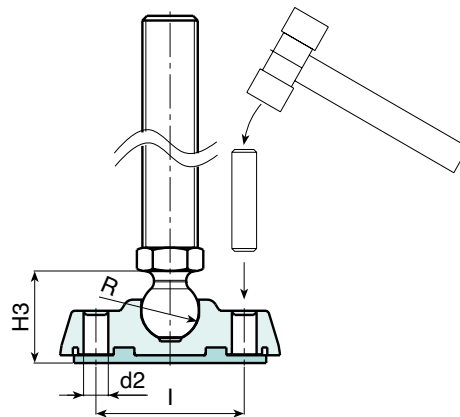
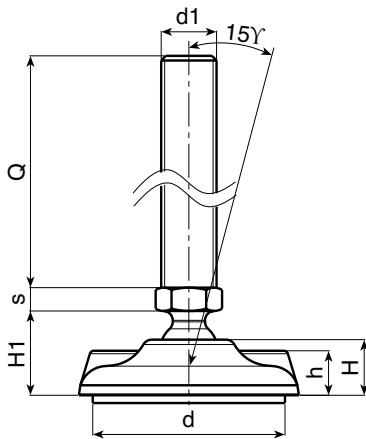
The holes in the foot used for anchoring the mount to the floor, are supplied closed. To open them simply break the plastic membrane (see drawing).

**Non-Slip Base:**

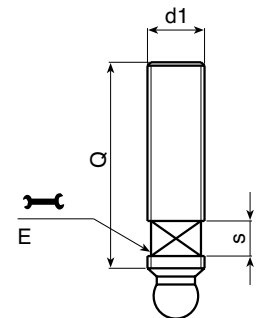
Thermoplastic vulcanized rubber TPV 75 Shore (only black RAL 9011).

**SPECIAL REQUESTS:**

- It is possible to supply the inserts with different lengths, on request and for quantities.
- Upon request and for special quantities the foot can be supplied in Orange (RAL 2004).



Stud type A



Stud type B

Presumable presence in the stock in %

(☺) 90% (☹) 40% (⊖) 5% (⊕)

BOTECO® - © All right reserved - [www.boteco.it](http://www.boteco.it)  
Any unauthorized reproduction is strictly forbidden



**BOTECO**