

# R209

**NEW**



## POLYAMIDE / POLYURETHANE WHEEL WITH RIGID STEEL FORK

### Materials:

#### Wheel body (1):

Polyamide. Resistant to oils and greases.

#### Tread (2):

Injected polyurethane. Hardness  $60 \pm 5$  Shore D.

#### Surface finish:

Smooth.

#### Colour:

- (1) Natural white.
- (2) Red (Ral 3013).
- (3-4-6) Galvanised blue.

#### Wheel rotation (4):

The hole for the pivot pin is formed by plastic moulding. A galvanised steel tube is positioned between the stud and the hole for protection.

#### Bracket (3):

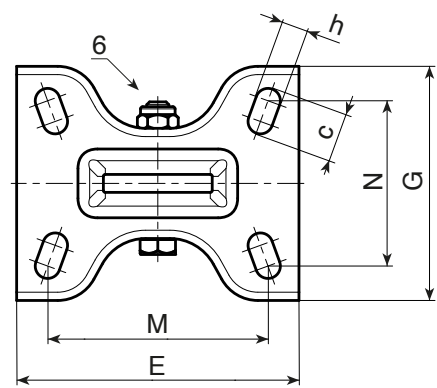
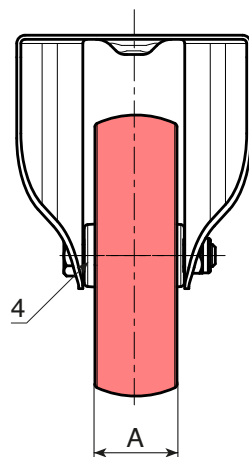
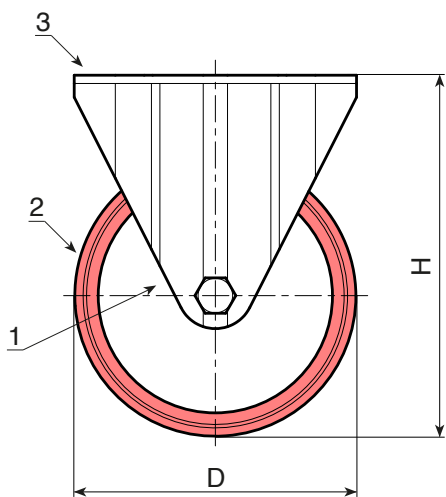
Rigid steel (DD13) fork, with mounting holes in the base.

#### Wheel fastening (6):

Steel hex head screw, coupled with a steel nut.

#### Special requests:

- Upon request and for a minimum of 20 pieces, the wheel can be supplied with a needle roller cage, (replace code no. R209 with code no. R239).



art.	D	A	H	E	G	M	N	c	h	g	F1 (Kg)
R209080.T30P080X060	80	30	108	100	84	80	60	12	9	379	100
R209100.T30P080X060	100	30	127	100	84	80	60	12	9	436	130
R209125.T35P080X060	125	35	155	100	84	80	60	12	9	685	180
R209150.T40P080X060	150	40	184	100	84	80	60	12	9	577	140
R209200.T50P105X080	200	50	240	135	110	105	80	23	11	1686	300

# R209CIN NEW



## POLYAMIDE / POLYURETHANE WHEEL WITH RIGID STAINLESS STEEL FORK

INOX

### Materials:

#### Wheel body (1):

Polyamide. Resistant to oils and greases.

#### Tread (2):

Injected polyurethane. Hardness  $60 \pm 5$  Shore D.

#### Surface finish:

Smooth.

#### Colour:

(1) Natural white.

(2) Red (Ral 3013).

(3-4-6) Natural stainless steel.

#### Wheel rotation (4):

The hole for the pivot pin is formed by plastic moulding. A stainless steel (Aisi 304) tube is positioned between the stud and the hole for protection.

#### Bracket (3):

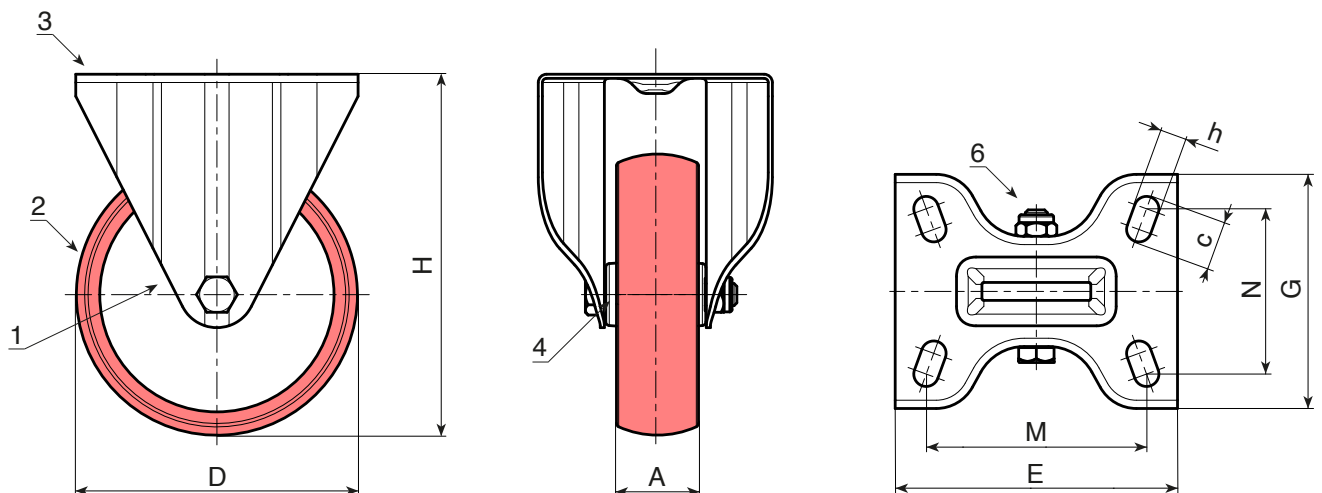
Rigid stainless steel (Aisi 304) fork, with mounting holes in the base.

#### Wheel fastening (6):

Stainless steel (Aisi 304) hex head bolt, coupled with a stainless steel (Aisi 304) nut.

#### Special requests:

- Upon request and for a minimum of 20 pieces, the wheel can be supplied with a needle roller cage, (replace code no. R209CIN with code no. R239CIN).



INOX

art.	D	A	H	E	G	M	N	c	h	g	F1 (Kg)
● R209080.T30P080X060CIN	80	30	108	100	84	80	60	12	9	379	100
● R209100.T30P080X060CIN	100	30	127	100	84	80	60	12	9	394	130
● R209125.T35P080X060CIN	125	35	155	100	84	80	60	12	9	550	180
● R209150.T40P080X060CIN	150	40	184	100	84	80	60	12	9	529	140
● R209200.T50P105X080CIN	200	50	240	135	110	105	80	23	11	1686	300