

# R309

**NEW**



## SHEET METAL RIM / RUBBER WHEEL WITH RIGID STEEL FORK

### Materials:

#### Wheel body:

Two stamped sheet metal disks (steel DD13) riveted together to create a single body.

#### Tread:

Natural rubber trapezoidal tread. Hardness  $85 \pm 4$  Shore A.

#### Surface finish:

Smooth.

#### Colour:

(2) Black (RAL 9011).

(1-3-4-6) Galvanised blue.

#### Wheel rotation:

The hole for the pivot pin is stamped in sheet metal. A black polyamide insert is positioned between the pin and the hole for protection.

#### Bracket (3):

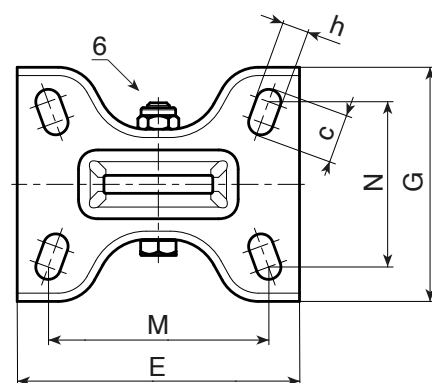
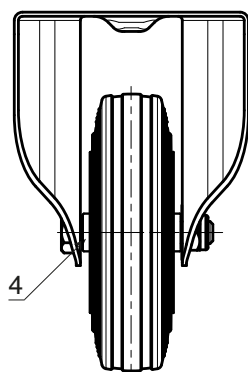
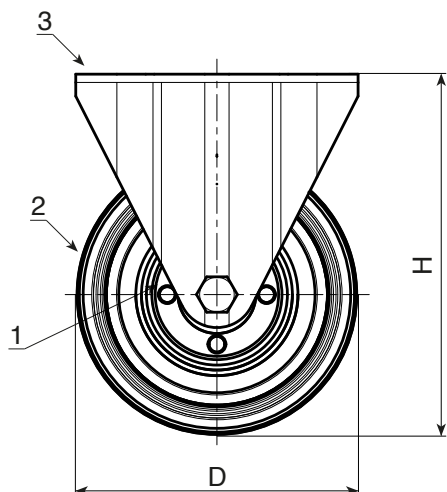
Steel (DD13) fork, with mounting holes in the base.

#### Wheel fastening (6):

Steel hex head screw, coupled with a steel nut.

#### Special requests:

- Upon request and for a minimum of 20 pieces, the wheel can be supplied with a needle roller cage, (replace code no. R309 with code no. R339).



art.	D	A	H	E	G	M	N	c	h	g	F1 (Kg)
R309080.T25P080X060	80	25	108	102	84	80	60	12	9	-	50
R309100.T30P080X060	100	30	127	102	84	80	60	12	9	-	70
R309125.T37P080X060	125	37.5	155	100	84	80	60	12	9	-	100
R309150.T37P080X060	150	37.5	183	100	84	80	60	12	9	-	140
R309180.T45P105X080	180	45	230	135	110	105	80	23	11	-	180
R309200.T50P105X080	200	50	240	135	110	105	80	23	11	-	220