

ART. R531

TERMINAL BLOCK COVER

MATERIAL:

Impact resistant and self-extinguishing Polystyrene.

SURFACE:

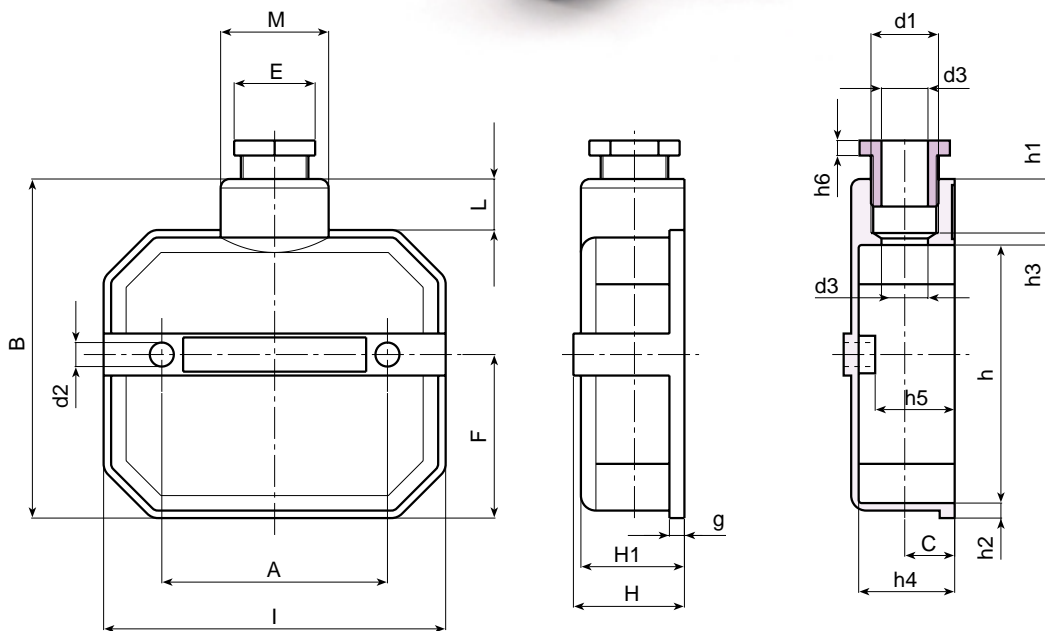
Glossy.

COLOUR:

Black (RAL 9011).

SPECIAL REQUESTS:

- None.



Art.	A	B	H	I	C	E	F	L	M	H1	d1
R531-114 PG16	114	114	37	75,5	16,5	27	54,5	17	35,5	35	PG16

Art.	d2	d3	h	h1	h2	h3	h4	h5	h6	h7	Weight (gr)
R531-114 PG16	8	15,5	86	4	5	18	31	25,5	5	4,5	77



BOTECA