

**ART. R535**

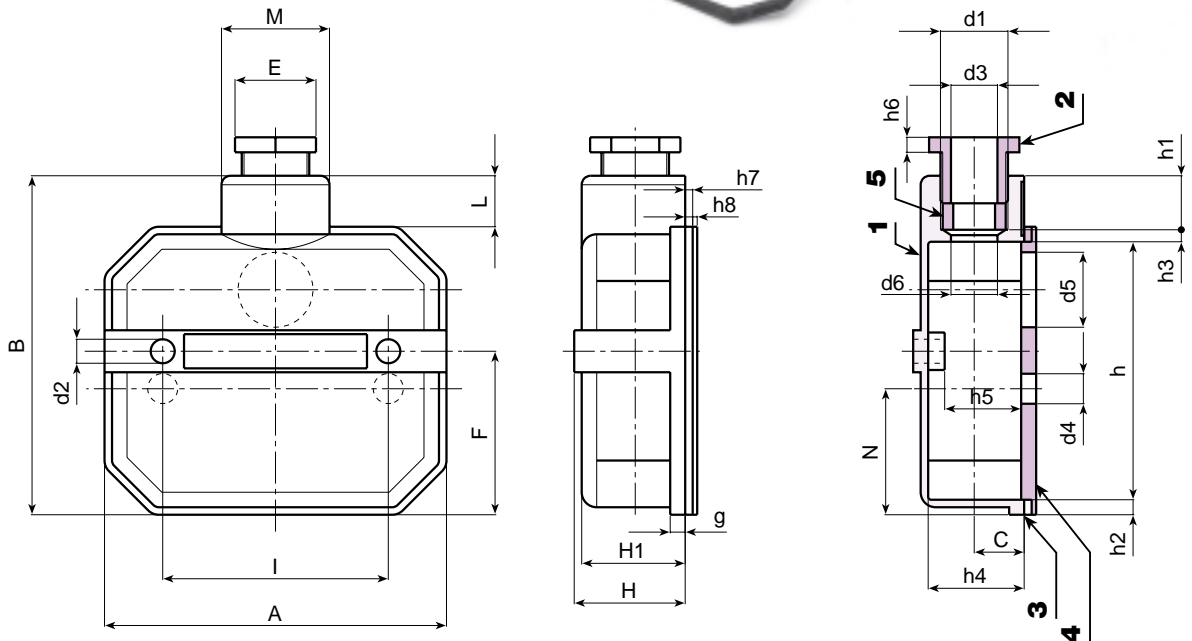
**TERMINAL BLOCK COVER WITH MOUNTING PLATE AND GASKET AND CABLE ENTRY PG16**

**MATERIAL:**  
 (1-2-4) Impact resistant and self-extinguishing Polystyrene.  
 (3-5) Thermoplastic rubber 75 Shore.

**SURFACE:**  
 Glossy.

**COLOUR:**  
 Black (RAL 9011).

**SPECIAL REQUESTS:**  
 • None.



Art.	A	B	H	I	C	E	F	L	M	N	H1	d1	d2	d3	d4
R535-114 PG16	114	114	37	75,5	16,5	27	54,5	17	35,5	42	35	PG16	8	18	9,5

Art.	d5	g	d6	h	h3	h2	h1	h4	h5	h6	h7	h8	h9	Weight (gr)
R535-114 PG16	25	4,5	18	86	4	5	18	31	27	5	2,5	1,5	4,5	112