

# ART. R553 CH

## SPINDLE GUARD CLOSED

**MATERIAL:**

Reinforced polyamide.  
Oils and greases resistant.

**SURFACE:**

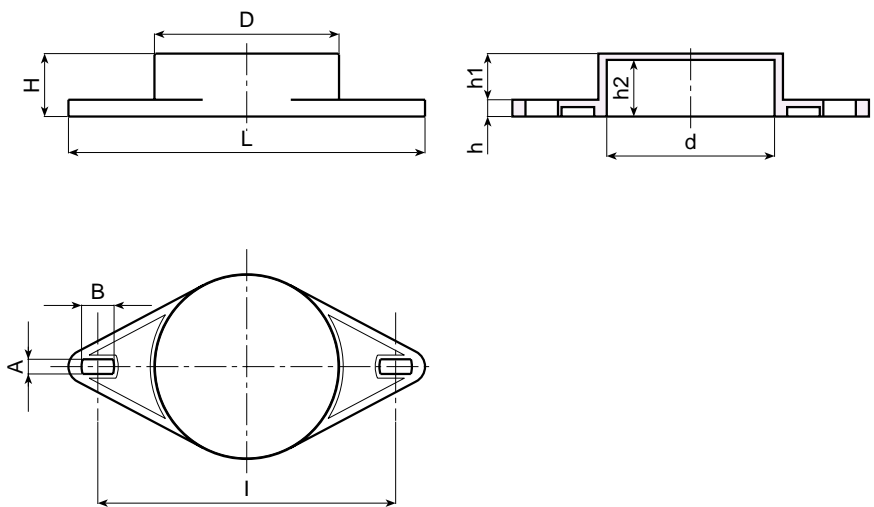
Glossy.

**COLOUR:**

Black (RAL 9011).

**SPECIAL REQUESTS:**

- None.



Art.	H	D	d	L	l	A	B	h	h1	h2	Weight (gr)
R553-170CH	30	88	80	170	142	7	15	8	20	27	78