

ART. S111

FIXED FEMALE CONNECTOR

MATERIAL:

- (2-3) Duroplast.
Oils and greases resistant.
High temperatures resistant.

SURFACE:

Glossy.

COLOUR:

Black (RAL 9011).

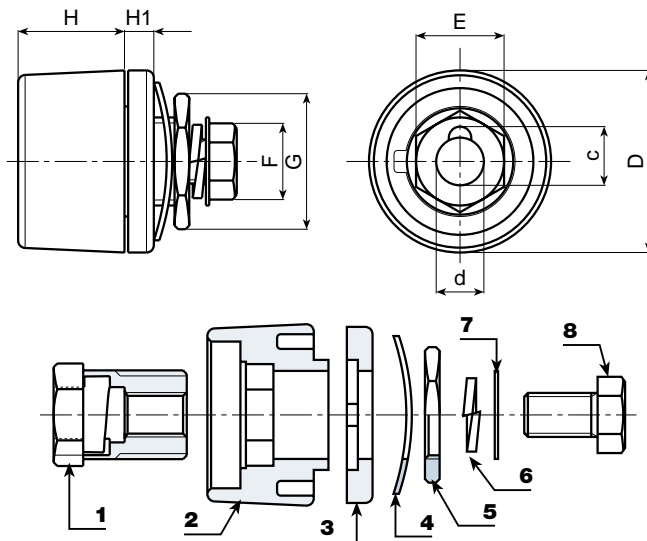
MAIN INSERTS:

- (1) Threaded brass insert with slot.
- (4) F25-00 Toothed washer in black-oxide treated steel DIN 6798.
- F35-50 Corrugated washer in black-oxide treated steel DIN 137.
- F70-95 Corrugated washer in black-oxide treated steel DIN 137.
- (5) Threaded hexagonal ring in yellow passivated steel.
- (6) Split washer in black-oxide treated steel UNI 1751.
- (7) Yellow passivated steel washer.
- (8) Hexagonal head screw in yellow passivated steel DIN 933/UNI 5739.



SPECIAL REQUESTS:

- None.



S111 + S112



S113 + S114



S112 + S113



Art.	D	H	H1	d	c	E	F	G	Weight (gr)
S111-F25-00	33	14	4	9	11	14	13	22	50
S111-F35-50	50,5	29	7	13	16	21	17	27	153
S111-F70-95	50,5	29	7	13	16	24	19	32	202



BOTECA