

# ART. S112

## MALE TRAILING CORD CONNECTOR

**MATERIAL:**

(4) Thermoplastic rubber 75-80 Shore.

**SURFACE:**

Satin.

**COLOUR:**

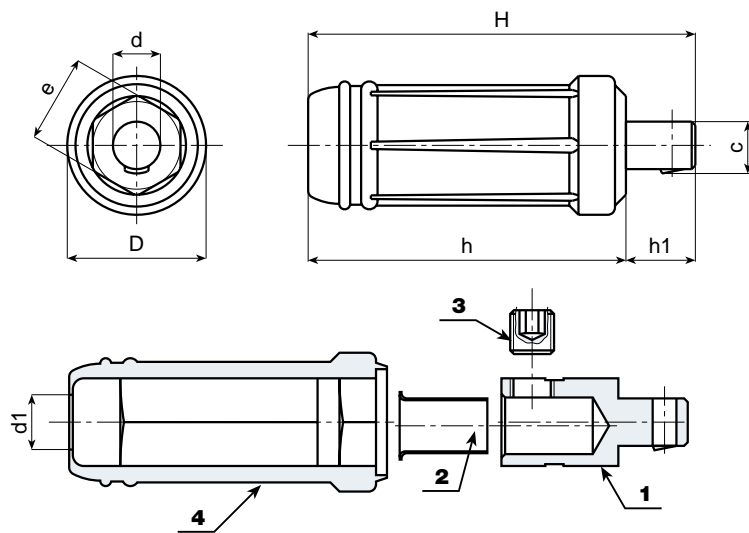
Black (RAL 9011).

**MAIN INSERTS:**

- (1) Insert with male element in brass.
- (2) Tube in soft copper.
- (3) Dowel with countersunk hexagon DIN 913-45H. (n°2 dowels for the M90-00version).

**SPECIAL REQUESTS:**

- None.



Art.	D	H	h	h1	d	c	e	d1	Weight (gr)
S112-M25-00	24,5	70	59	11	9	10	14	8,5	37
S112-M35-50	35	106	87	19	13	14,5	21	11	130
S112-M70-00	38	106	87	19	13	14,5	24	15,5	148
S112-M95-00	38	106	87	19	13	14,5	24	15,5	200



**BOTECA**