

ART. S117

FIXED FEMALE CONNECTOR TP

MATERIAL:

(2-3) Reinforced polyamide.
Oils and greases resistant.

SURFACE:

Satin.

COLOUR:

Black (RAL 9011).

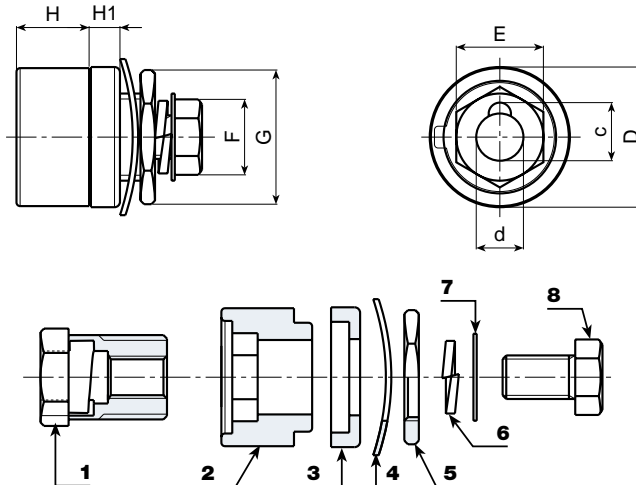
MAIN INSERTS:

- (1) Threaded brass insert with slot.
- (4) F35-50 Corrugated washer in black-oxide treated steel DIN 137.
- (5) Threaded hexagonal ring in yellow passivated steel.
- (6) Split washer in black-oxide treated steel UNI 1751.
- (7) Yellow passivated steel washer.
- (8) Hexagonal head screw in yellow passivated steel DIN 933/UNI 5739.



SPECIAL REQUESTS:

- None.



Art.	D	H	H1	d	c	E	F	G	Weight (gr)
S117-F35-50	38	20	8	13	16	21	17	27	121