

# ART. S118

## FIXED MALE CONNECTOR TP

**MATERIAL:**

(2-3) Reinforced polyamide.  
Oils and greases resistant.

**SURFACE:**

Satin.

**COLOUR:**

Black (RAL 9011).

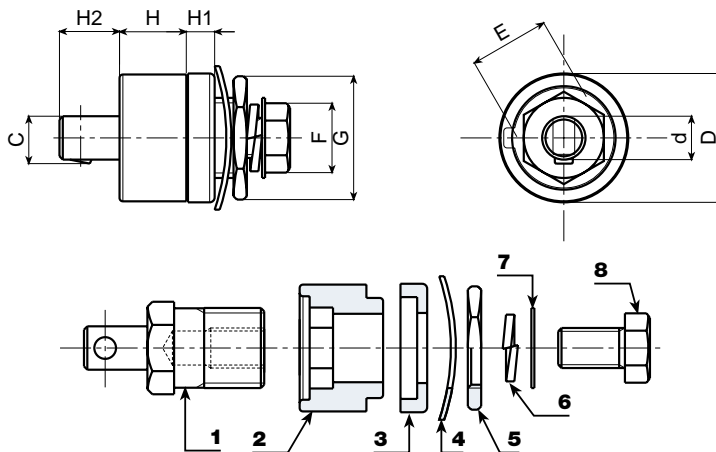
**MAIN INSERTS:**

- (1) Threaded Insert with male element in brass.
- (4) F35-50 Corrugated washer in black-oxide treated steel DIN 137.
- (5) Threaded hexagonal ring in yellow passivated steel.
- (6) Split washer in black-oxide treated steel UNI 1751.
- (7) Yellow passivated steel washer.
- (8) Hexagonal head screw in yellow passivated steel DIN 933/UNI 5739.



**SPECIAL REQUESTS:**

- None.



Art.	D	H	H1	H2	d	c	E	F	G	Weight (gr)
S118-F35-50	38	20	8	17	13	14	21	17	27	160



**BOTECA**