

T500



AL
6060

UL94
HB



ALUMINIUM TANK CAP WITH MAGNET

Material:

Aluminium cap (alloy 6060).

- 1) Neodymium magnet -NdFeb- (N35SH) heat-resistant to 120°C.
- 2) Word "MAGNETIC" pad-printed on cap, heat-resistant to 120°C.
- 3) NBR rubber seal.

Surface:

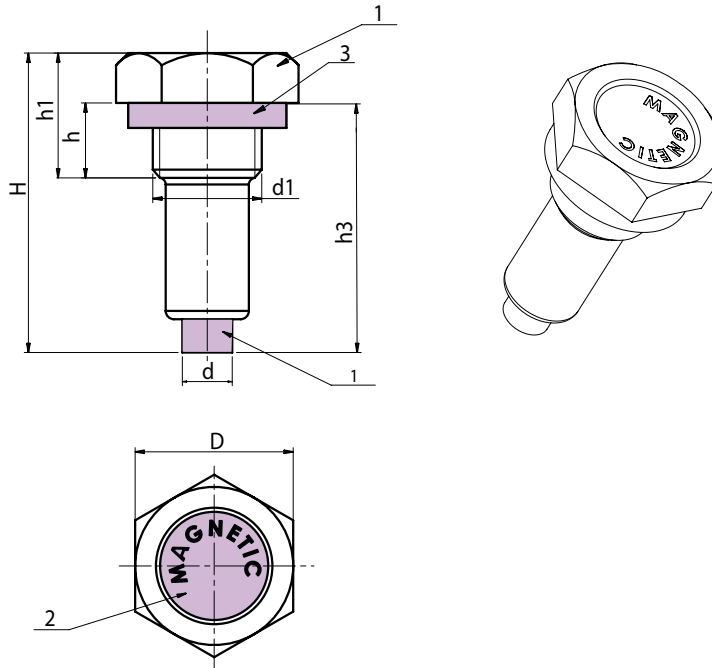
Turned.

Colour:

Natural.

SPECIAL REQUESTS:

- Bespoke pad-printing of customer's design is available upon request and for special quantities.
- Bespoke threading made to customer's drawing is available upon request and for special quantities.



☺	Art.	D	d	H	h	h1	h3	d1 (GAS)	⚖ g
☺	T50019.AT1/4	19	6	36	9	15	28	1/4	14
☺	T50022.AT3/8	22	8	36	9	15	30	3/8	21
☺	T50026.AT1/2	26	8	40	11	18	34	1/2	-
☺	T50032.AT3/4	32	8	44	12	20	36	3/4	-
d1									
☺	T50022.AB16X1,5	22	8	36	9	15	30	M16X1,5	21
☺	T50026.AB20X1,5	26	8	40	11	18	34	M20X1,5	-
☺	T50032.AB27X1,5	32	8	44	12	20	36	M27X1,5	-