

ART. T710

RING NUT WITH HANDLE

MATERIAL:

Reinforced polyamide.
Oils and greases resistant.

SURFACE:

Satin.

COLOUR:

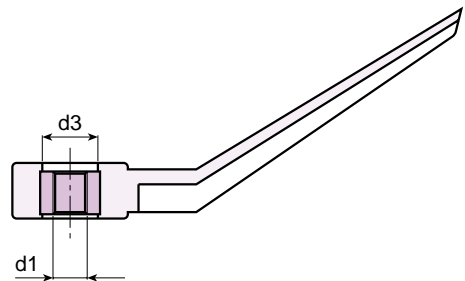
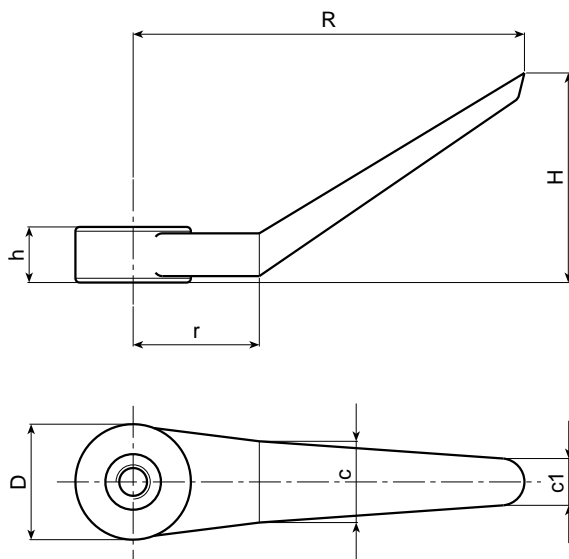
Black (RAL 9011).

MAIN INSERT:

Zinc plated steel right through threaded bush.

SPECIAL REQUESTS:

- It is possible to supply the inserts in different materials, on request and for quantities.
- It is possible to supply colours as shown in the table at page 27, on request and for quantities.



Art.	R	D	H	h	r	c	c1	d3	d1	Weight (gr)
T710-90 M8	90	27	48	14	29	19	12	13,5	M8	27
T710-90 M10	90	27	48	14	29	19	12	13,5	M10	26
T710-90 M12	90	27	48	14	29	19	12	13,5	M12	28



BOTECA