

# ALUMINIUM CONTROL HANDWHEEL WITH REVOLVING/FOLDING HANDLE

## W298



AL

PA6  
+GF

UL94  
HB



### Material:

Die cast aluminium.

### Surface:

Satin finish surface, except for the low roughness turned areas labeled with "T".

### Colour:

Nickel-plated (galvanic treatment).

### Alternative Colour:

Painted Black (final code letter V ex.: W296080.AD08V)

### Tap:

Black polyamide (RAL 9011 cod. 01).

### Alternative Cap Colours:

Black version, Grey polyamide (RAL 7035 cod. 13).

### Hole:

Female right through hole with tolerance class H11.

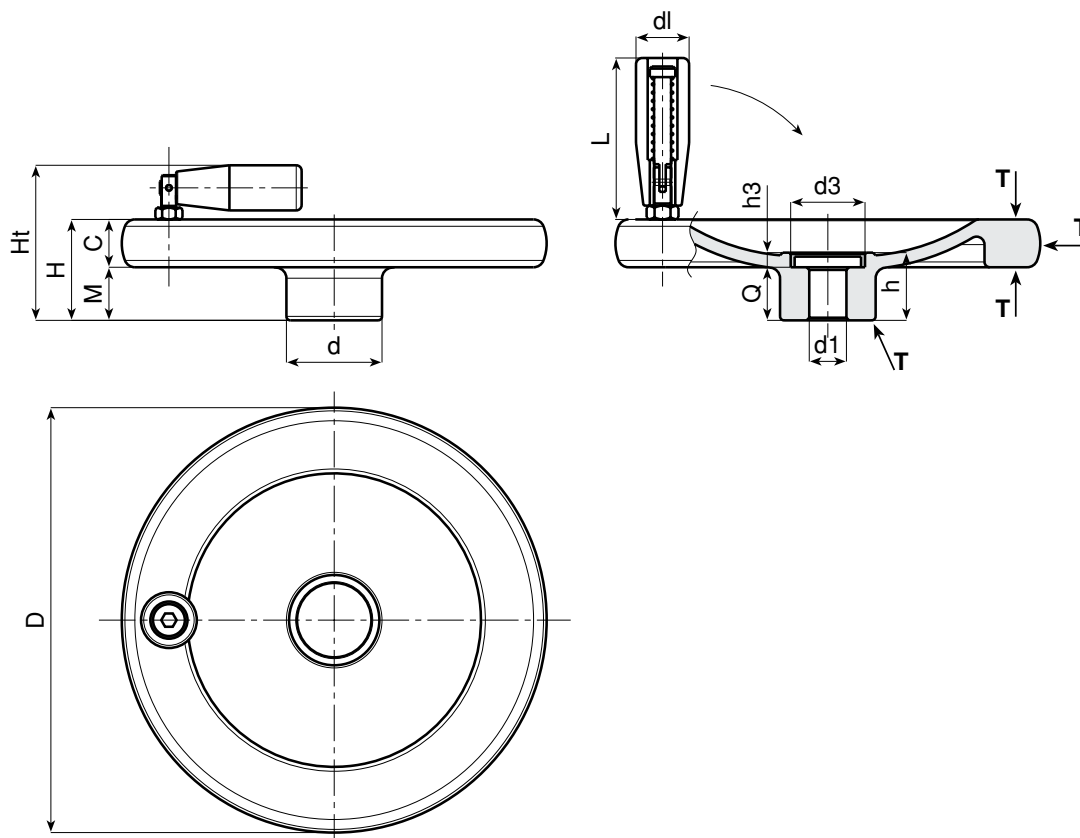
### Side handle:

Revolving and folding handle art. M136 (see page M-16).

For fixing system, or execution of keyway or square holes, please refer to the technical notes attached to the catalogue.

### SPECIAL REQUESTS:

- It's possible to supply the handwheels with customised hole d1, on request and for quantities.



Art.	d	D	H	m	c	h	h3	d3	d1 H7	Q	dl	L	g
<b>W298080.AD08H</b>	26	<b>80</b>	26	14	12	21	5,5	20	<b>08</b>	15,5	20	56	181
<b>W298100.AD10H</b>	28	<b>100</b>	28	14	14	21,5	5,5	20	<b>10</b>	16	20	56	279
<b>W298130.AD12H</b>	36	<b>130</b>	35	19	16	25,5	5,5	28	<b>12</b>	20	25	76	506
<b>W298160.AD14H</b>	36	<b>160</b>	38	20	18	25,5	5,5	28	<b>12</b>	20	25	76	756
<b>W298200.AD16H</b>	42	<b>200</b>	44	24	20	31,5	6	34	<b>16</b>	25,5	26	89	1337

**Attention:** bore d1 (H11 tolerance) could be produced by request, with 50 pieces minimum.

Presumable presence in the stock in %

(☺) 90% (☹) 40% (☹) 5% (☹)

BOTECO® - © All right reserved - [www.boteco.it](http://www.boteco.it)

Any unauthorized reproduction is strictly forbidden

