

# W466-W466CIN



## KNURLED METAL HANDWHEEL WITH THREADED BORE

### Material:

**W466:** Steel with resistance class 5.8.

**W466 CIN:** Stainless steel AISI 303.

### Surface:

Low roughness turned surface.

### Colour:

**W466:** Nickel-plated ( galvanic treatment).

**W466 CIN:** Natural.

### Alternative Colour for W466:

Black-oxide (final code letter B ex.: W46629.SM08B).

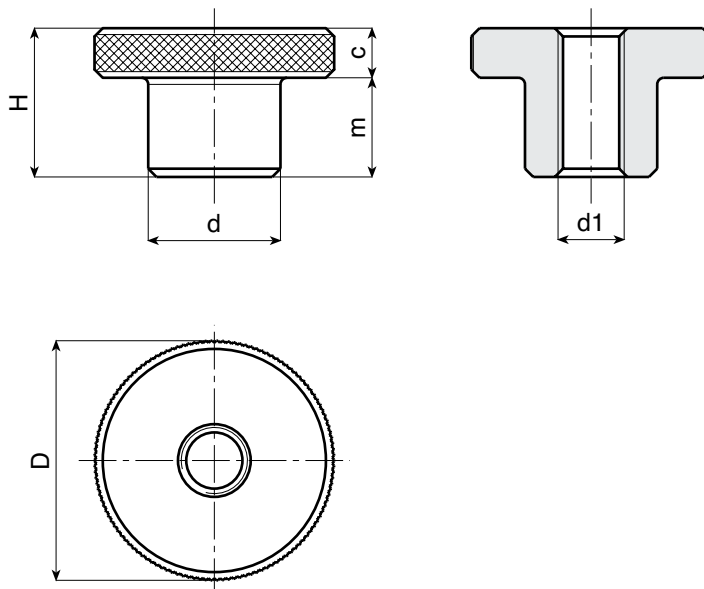
Zinc-plated (final code letter Z ex.: W46629.SM08Z).

### Hole:

Female threaded right through hole with tolerance class 6H.

### SPECIAL REQUESTS:

- It's possible to supply the knobs with customised hole d1, on request and for quantities.



### Version W466 on nickel-plated steel

Art.	d	D	H	m	c	d1 6H	g
W46611.SM03H	6	11	8	5	3	M03	3
W46615.SM04H	8	15	10	6	4	M04	7
W46619.SM05H	10	19	12	8	4	M05	12
W46623.SM06H	12	23	15	10	5	M06	22,5
W46629.SM08H	16	29	18	12	6	M08	45
W46635.SM10H	20	35	23	15	8	M10	87
W46639.SM12H	22	39	25	15	10	M12	121

### Version W466 CIN on stainless steel

Art.	d	D	H	m	c	d1 6H	g
W46611.IM03CIN	6	11	8	5	3	M03	3
W46615.IM04CIN	8	15	10	6	4	M04	7
W46619.IM05CIN	10	19	12	8	4	M05	12
W46623.IM06CIN	12	23	15	10	5	M06	22,5
W46629.IM08CIN	16	29	18	12	6	M08	45
W46635.IM10CIN	20	35	23	15	8	M10	87
W46639.IM12CIN	22	39	25	15	10	M12	45

INOX

**W**  
**METAL SERIES**

ver. WUK.17-0915

**BOTECO**  
**METAL LINE**

W - 10

Presumable presence in the stock in %

(☺) 90% (☹) 40% (⊖) 5% (⊗)

www.boteco.it - © All right reserved - BOTECO®  
Any unauthorized reproduction is strictly forbidden