

W624



C40



LONG THREADED STEEL SPRING PLUNGER WITH NOSE PIN

Materials:

Turned and threaded plunger body made of steel with strength class 5.8.

Surface finish:

Smooth.

Colour:

Black-oxide treated.

Nose pin:

Turned point made of high-resistance hardened steel.

Spring:

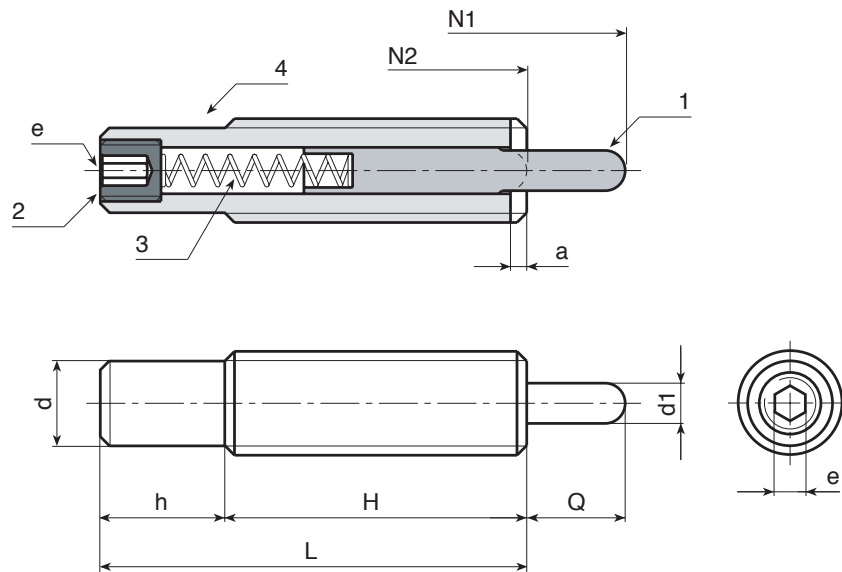
Harmonic steel spring.

Type of spring thrust:

Normal.

Special requests:

- None.



W.P

art.	L	D	H	h	d	a	b	e	d1	Q	g	N1 (N)	N2 (N)
W624030.VBM08Q03.5X06	30	M08	20	10	6.2	1.4	1.2	2.5	3.5	6	9	8	20
W624040.VBM08Q03.5X08	40	M08	20	20	6.2	1.4	1.2	2.5	3.5	8	10	10	28
W624050.VBM08Q03.5X10	50	M08	20	30	6.2	1.4	1.2	2.5	3.5	10	10	12	38
W624060.VBM08Q03.5X15	60	M08	20	40	6.2	1.4	1.2	2.5	3.5	15	14	15	48
W624040.VBM10Q04X08	40	M10	30	10	8	1.4	1.6	3	4	8	15	12	30
W624050.VBM10Q04X10	50	M10	30	20	8	1.4	1.6	3	4	10	18	16	46
W624060.VBM10Q04X15	60	M10	30	30	8	1.4	1.6	3	4	15	21	20	55
W624080.VBM10Q04X20	80	M10	30	50	8	1.4	1.6	3	4	20	28	25	65
W624050.VBM12Q06X10	50	M12	30	20	9.6	2	2	4	6	10	28	20	50
W624060.VBM12Q06X15	60	M12	30	30	9.6	2	2	4	6	15	31	25	76
W624080.VBM12Q06X20	80	M12	30	50	9.6	2	2	4	6	20	40	35	102
W624100.VBM12Q06X25	100	M12	30	70	9.6	2	2	4	6	25	47	40	102
W624060.VBM16Q07.5X12	60	M16	30	30	13.4	2.5	2.5	5	7.5	12	63	30	64
W624080.VBM16Q07.5X10	80	M16	30	50	13.4	2.5	2.5	5	7.5	10	80	30	110
W624100.VBM16Q07.5X30	100	M16	30	70	13.4	2.5	2.5	5	7.5	30	100	30	120
W624120.VBM16Q07.5X40	120	M16	30	90	13.4	2.5	2.5	5	7.5	40	118	20	130