

# W735CIN - W736CIN



INOX

## KNOB WITH FULL STAINLESS STEEL INDEXING PLUNGER - WITH OR WITHOUT NUT

### Materials:

- (1) Stainless steel plunger pin (Aisi 303).
- (2) Stainless steel (Aisi 303) indexing plunger body.
- (3) Stainless steel spring (Aisi 301).
- (4) Turned stainless steel lobed knob (Aisi 303).
- (5) Threaded stainless steel lock nut (Aisi 304) (UNI 5589) (only for version W736CIN).

### Surface finish:

Natural.

### Colour:

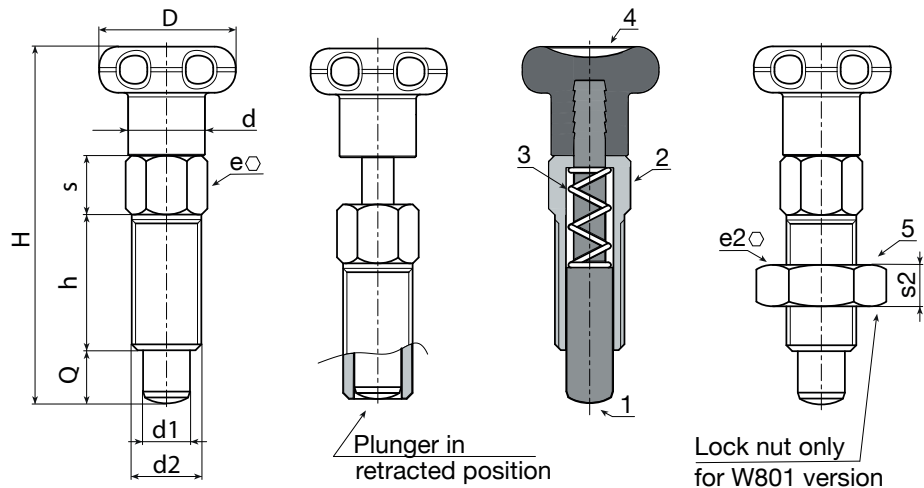
Natural.

### ATTENTION:

- > We recommend an H7 tolerance for the plunger stem bore.
- > Nut supplied assembled (only for version W736CIN).

### Special Requests:

- On request the plunger can be supplied completely disassembled.
- On request the nut can be supplied disassembled.



### Version W735CIN - without nut

🛒	Art.	D	d	H	h	e	s	d2	d1-0,02 -0,04	Q	📦
●	W735.I05CIN	18	9	42	16	8	6	M08	5	5	21
●	W735.I06CIN	22	11	52	20	10	7.5	M10	6	6	23
●	W735.I08CIN	24	13	62	24	12	9	M12	8	8	69

### Version W736CIN - with nut

🛒	Art.	D	d	H	h	e	s	d2	e2	s2	d1-0,02 -0,04	Q	📦
●	W736.I05CIN	18	9	42	16	8	6	M08	13	5	5	5	30
●	W736.I06CIN	22	11	52	20	10	7.5	M10	17	6	6	6	55
●	W736.I08CIN	24	13	62	24	12	9	M12	19	7	8	8	71

