

W737CIN - W738CIN



INOX

KNOB WITH LOCKING FULL STAINLESS STEEL INDEXING PLUNGER - WITH OR WITHOUT NUT

Materials:

- (1) Stainless steel plunger pin (Aisi 303).
- (2) Stainless steel (Aisi 303) locking indexing plunger body.
- (3) Stainless steel spring (Aisi 301).
- (4) Turned stainless steel lobed knob (Aisi 303).
- (5) Threaded stainless steel lock nut (Aisi 304) (UNI 5589) (only for version W738CIN).

Surface finish:

Natural.

Colour:

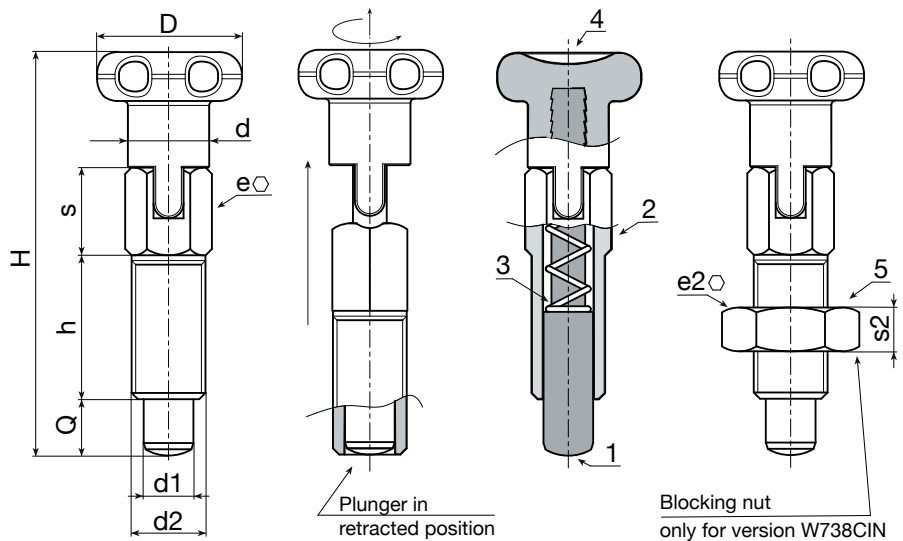
Natural.

ATTENTION:

- > We recommend an H7 tolerance for the plunger stem bore.
- > Nut supplied assembled (only for version W738CIN).

Special Requests:

- On request the plunger can be supplied completely disassembled.
- On request the nut can be supplied disassembled.



Version W737 - without nut

Art.	D	d	H	h	e	s	d2	d1 -0,02 -0,04	Q	g
W737.I05CIN	18	9	46	16	8	10	M08	5	5	26
W737.I06CIN	22	11	55	20	10	11	M10	6	6	53
W737.I08CIN	24	13	66	24	12	14	M12	8	8	74

Version W738 CIN - with nut

Art.	D	d	H	h	e	s	d2	e2	s2	d1 -0,02 -0,04	Q	g
W737.I05CIN	18	9	46	16	8	10	M08	13	5	5	5	26
W738.I06CIN	22	11	55	20	10	11	M10	17	6	6	6	71
W738.I08CIN	24	13	66	24	12	14	M12	19	7	8	8	110

