

STAINLESS STEEL SMOOTH BALL PLUNGER WITHOUT COLLAR



Material:

- (1) Turned stainless steel plunger body (Aisi 303).
- (2) Hardened ball-bearing steel ball (AISI 420).

Spring:

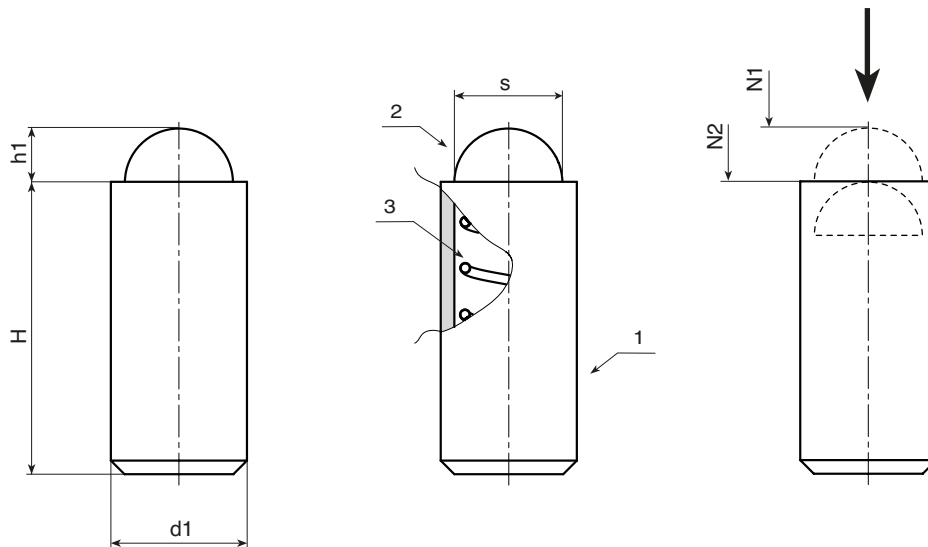
- (3) Stainless steel spring (Aisi 301).

Trust type:

Normal.

SPECIAL REQUESTS:

- None.



Art.	H	h1	s	N1 (Newton)	N2 (Newton)	d1	g
W600.IND03CIN	7	0,65	2	5	7	03	0,4
W600.IND04CIN	9	,8	3	12	22	04	0,6
W600.IND05CIN	12	1	4	19	30	05	1,2
W600.IND06CIN	14	1,5	5	22	40	06	2,0
W600.IND08CIN	16	1,8	6	42	73	08	5
W600.IND10CIN	22	2,7	8	54	100	10	9
W600.IND12CIN	24	3,2	10	54	122	12	15

Presumable presence in the stock in %

(☺) 90% (☹) 40% (☹) 5% (☹)

BOTECO® - © All right reserved - www.boteco.it
Any unauthorized reproduction is strictly forbidden



**W-P BALL PLUNGERS
AND GRUB SCREW**