

## STAINLESS STEEL PLUNGER WITH QUICK FIXING NOSE PIN

### Material:

- (1) Stainless steel balls (AISI 440C)
- (2) High mechanical and chemical resistance stainless steel plunger pin (AISI 630), hardened at HRC 40.
- (3) Stainless steel turned knob (AISI 303).
- (4) Stainless steel turned button (AISI 303).
- (5) Stainless steel spring.

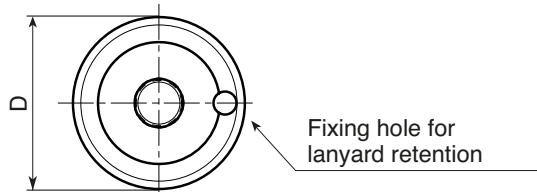
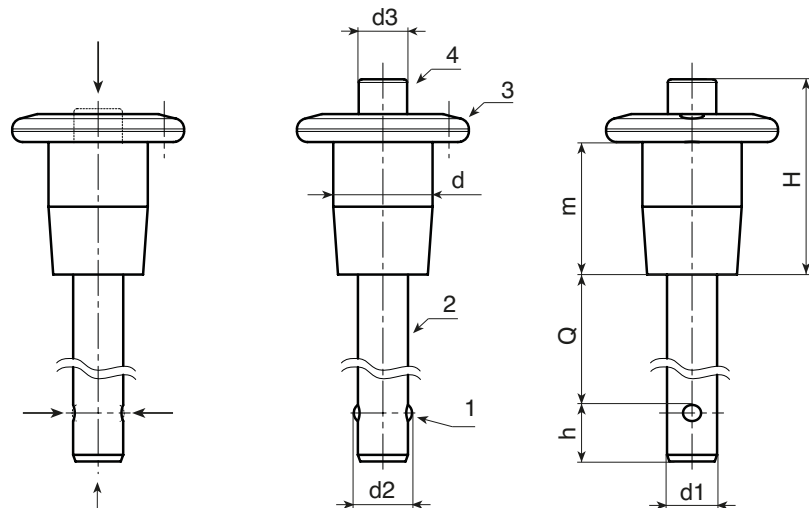
**ATTENTION:** We recommend making the lodging hole for the plunger pin with tolerance H7.

**Colour:**  
Natural.

**Surface:**  
(all) smooth with protective passivation.

### SPECIAL REQUESTS:

- None.



Art.	D	H	m	d	d2 <sup>+0,25</sup>	d3	d1 <sup>-0,04 -0,08</sup>	Q <sup>+0,5</sup>	h <sup>±1</sup>	⚖ g
<b>W69521.I05X...CIN</b>	21	23,5	16	12	5,54	6	5	10-15-20-25-30 35-40-50-60-70	6	22-23-23-24-25 25-26-28-29-30
<b>W69521.I06X...CIN</b>	21	23,5	16	12	6,99	6	6	10-15-20-25-30-35 40-50-60-70-80	7	23-24-25-26-27-28 29,5-32-34-36-38,5
<b>W69521.I08X...CIN</b>	21	23,5	16	12	9,42	6	8	10-15-20-25-30-35 40-50-60-70-80	8	27-29-31-32-35-36 38-42-46-50-54
<b>W69525.I10X...CIN</b>	25	26	18	14	11,86	7,5	10	15-20-25-30-35-40-50 60-70-80-90-100	9	45-48-50,5-54-56-60-65 70,5-78-81-90-96
<b>W69535.I12X...CIN</b>	35	32	22	18	14,45	10,5	12	20-25-30-35-40-50 60-70-80-90-100	10	98-102-107-110-115-123 132-140-150-157-168