

W720CIN**W721CIN****INOX****COMPLETE KNOB STYLE STAINLESS
STEEL INDEXING PLUNGER
WITH OR WITHOUT LOCK NUT****Version W720 CIN - Knob-style complete stainless steel indexing plunger.****INOX**

	Art.	D	H	h	h1	d2	d	e	s	d1 ^{-0,02} _{-0,04}	Q		g
	W720.I0501CIN												
	W720.I0601CIN												
	W720.I0801CIN												
	W720.I1001CIN	33	79	33	31	M20x1,5	20	22	10	10	10		190

Version W721 CIN - Knob-style complete stainless steel indexing plunger with locking nut.**INOX**

	Art.	D	H	h	h1	d2	d	e	s	e2	s2	d1 ^{-0,02} _{-0,04}	Q		g
	W801.I0501CIN														
	W801.I0601CIN														
	W801.I0801CIN														
	W801.I1001CIN	33	79	33	31	M20x1,5	20	22	10	30	9	10	10		220

**W - S
PLUNGERS**

ver. W-SUK.02-1114

**BOTECO
METAL LINE**

W-S - 6

Presumable presence in the stock in %

90% 40% 5%

www.boteco.it - © All right reserved - BOTECO®
Any unauthorized reproduction is strictly forbidden

Versions:

W720 CIN Knob-style complete stainless steel indexing plunger.

W721 CIN Knob-style complete stainless steel indexing plunger with locking nut.

Materials:

- (1) Stainless steel plunger pin (AISI 303).
- (2) Stainless steel threaded hexagon ring nut (AISI 303).
- (3) Stainless steel spring (AISI 302).
- (4) Stainless steel turned lobed knob (AISI303).
- (5) Stainless steel fixing nut (AISI 304) (UNI 5589).
- (6) Stainless steel fixing screw (AISI 304).

ATTENTION: The manufacturer recommends making the lodging hole for the plunger pin with a tolerance H7.

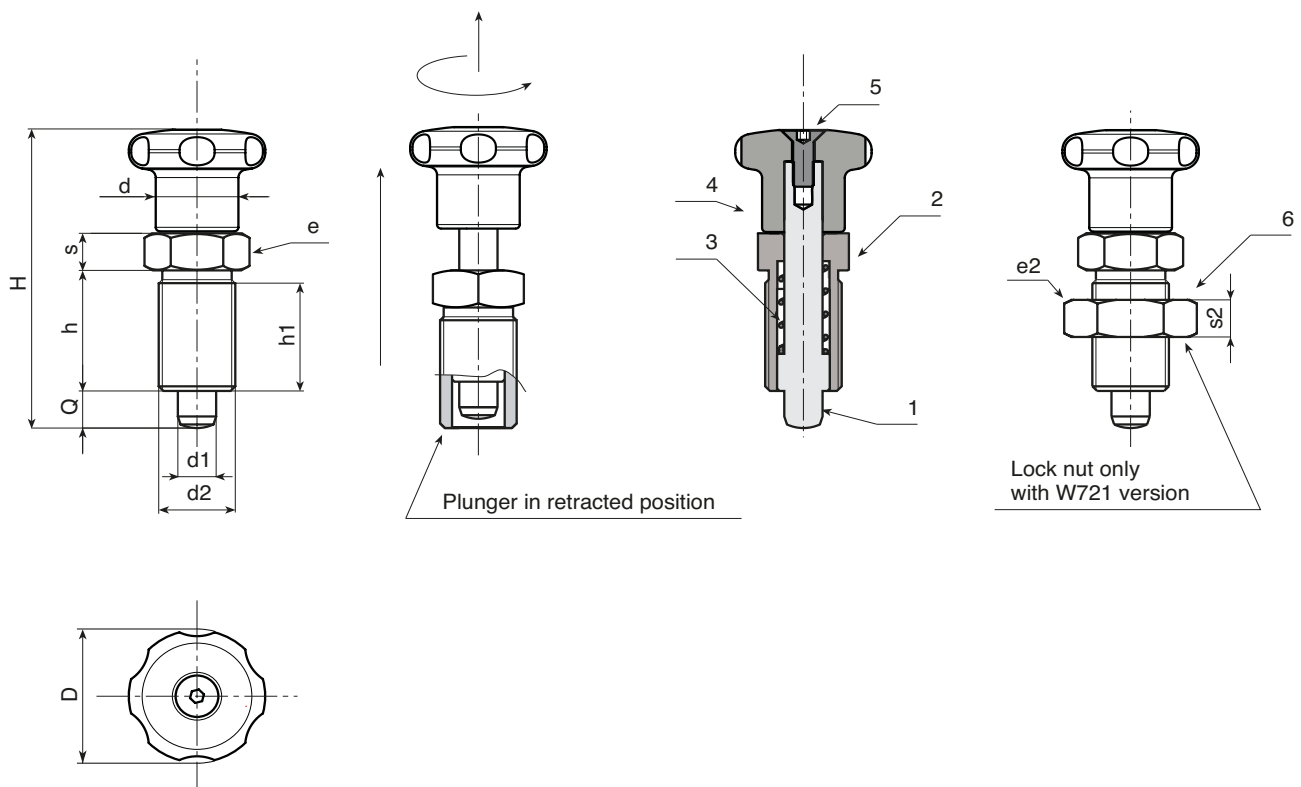
ATTENTION: Nut supplied assembled (for version W721CIN).

Surface and colour:

Natural.

SPECIAL REQUESTS:

- On request the plunger can be supplied disassembled.
- On request the nut can be supplied separate.



Presumable presence in the stock in %

(☺) 90% (☹) 40% (⊖) 5% (⊕)

BOTECO® - © All right reserved - www.boteco.it

Any unauthorized reproduction is strictly forbidden