

# W800

W800CIN - W801  
W801CIN

# KNOB STYLE STEEL INDEXING PLUNGER WITH OR WITHOUT LOCK NUT



Art. W800 CIN

### W800 Version: Knob-style black-oxide treated indexing plunger

	Art.	D	H	h	h1	d2	d	e	s	d1 <sup>-0,02/-0,04</sup>	Q	g
	W800.Q0501	22	45	17	15	M10x1	12	12	5	5	5	18
	W800.Q0601	27	54	20	18	M12x1,5	14	14	6	6	6	31
	W800.Q0801	33	68	26	24	M16x1,5	19	19	8	8	8	71
	W800.Q1001	33	79	33	31	M20x1,5	19	22	10	10	10	123

### W801 Version: Knob-style black-oxide treated indexing plunger with lock nut

	Art.	D	H	h	h1	d2	d	e	s	e2	s2	d1 <sup>-0,02/-0,04</sup>	Q	g
	W801.Q0501	22	45	17	15	M10x1	12	12	5	17	6	5	5	25
	W801.Q0601	27	54	20	18	M12x1,5	14	14	6	19	7	6	6	41
	W801.Q0801	33	68	26	24	M16x1,5	19	19	8	24	8	8	8	89
	W801.Q1001	33	79	33	31	M20x1,5	19	22	10	30	9	10	10	153

### W800 CIN Version: Knob-style stainless steel indexing plunger

	Art.	D	H	h	h1	d2	d	e	s	d1 <sup>-0,02/-0,04</sup>	Q	g
	W800.I0501CIN	22	45	17	15	M10x1	12	12	5	5	5	18
	W800.I0601CIN	27	54	20	18	M12x1,5	14	14	6	6	6	31
	W800.I0801CIN	33	68	26	24	M16x1,5	19	19	8	8	8	71
	W800.I1001CIN	33	79	33	31	M20x1,5	19	22	10	10	10	123

### W801 CIN Version: Knob-style stainless steel indexing plunger with lock nut

	Art.	D	H	h	h1	d2	d	e	s	e2	s2	d1 <sup>-0,02/-0,04</sup>	Q	g
	W801.I0501CIN	22	45	17	15	M10x1	12	12	5	17	6	5	5	25
	W801.I0601CIN	27	54	20	18	M12x1,5	14	14	6	19	7	6	6	41
	W801.I0801CIN	33	68	26	24	M16x1,5	19	19	8	24	8	8	8	89
	W801.I1001CIN	33	79	33	31	M20x1,5	19	22	10	30	9	10	10	153

W - S  
PLUNGERS

ver. W-SUK.01-0613

BOTECO  
METAL LINE

W-S - 4

Presumable presence in the stock in %

90% 40% 5%

www.boteco.it - © All right reserved - BOTECO ©  
Any unauthorized reproduction is strictly forbidden

**Versions:**

- W800** Knob-style black oxide treated indexing plunger.
- W801** Knob-style black oxide treated indexing plunger with lock nut.
- W800 CIN** Knob-style stainless steel indexing plunger.
- W801 CIN** Knob-style stainless steel indexing plunger with lock nut.

**Material:**

(4) Reinforced polyamide scallop knob. Cannot be removed.

**Versions W800 and W801**

- (3) Zinc plated steel spring.
- (2) High-resistance steel threaded hexagon ring nut.
- (1) Hardened high resistance steel plunger pin.

**Versions W800 CIN and W801 CIN**

- (3) Stainless steel spring.
- (2) Stainless steel threaded hexagon ring nut (AISI 303).
- (1) Stainless steel plunger pin (AISI 303).
- (5) Threaded stainless steel lock nut (AISI 304) (UNI 5589).

**ATTENTION:** The manufacturer recommends making the lodging hole for the plunger pin with a tolerance H7.

**ATTENTION:** Nut supplied assembled (for version W801 and W801 CIN).

**Surfaces:**

(4) Black satin finish (RAL 9011).

**Versions W800 and W801**

(1.2.5) Black-oxide finish.

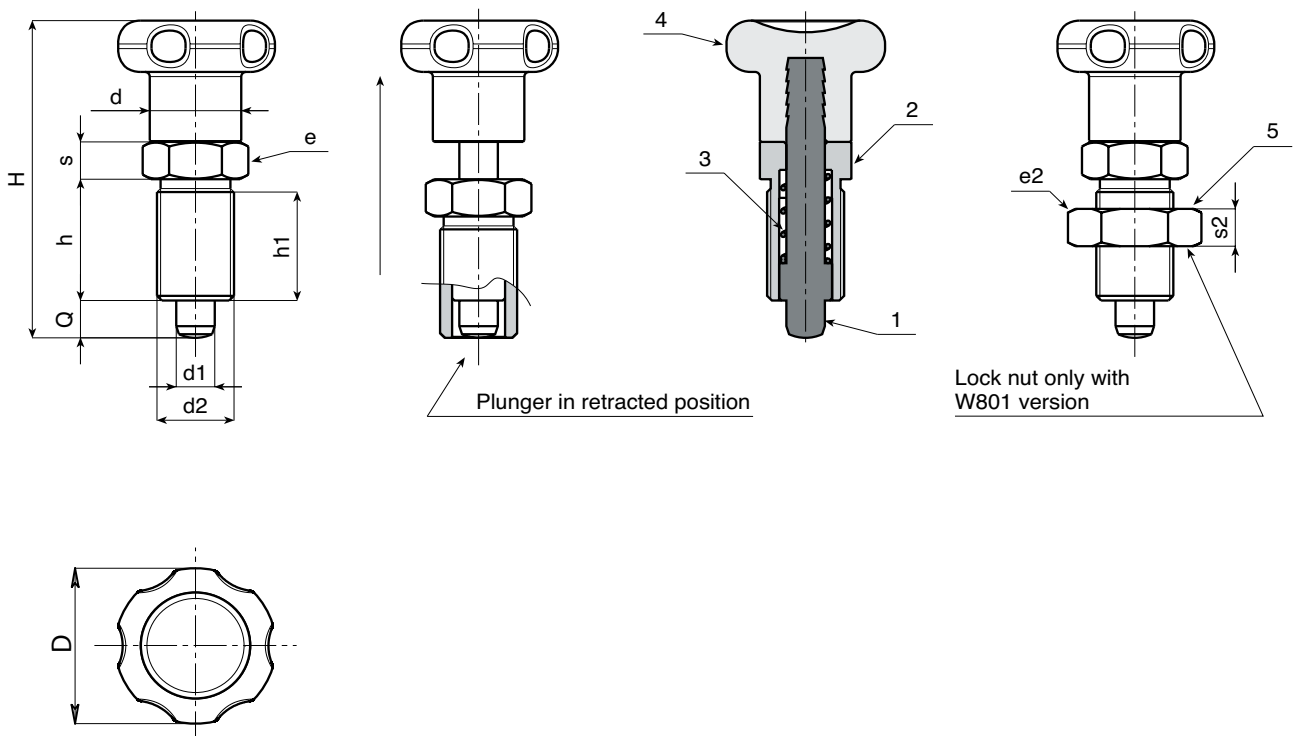
**Versions W800 CIN and W801 CIN**

(1.2.5) Natural.

**Packs containing 10 pieces.**

**SPECIAL REQUESTS:**

- On request and for special quantities the knob is available in a choice of colours as indicated in the table on page 31.
- On request the nut can be supplied separate.



Presumable presence in the stock in %

(☺) 90% (☹) 40% (⊖) 5%

BOTECO® - © All right reserved - [www.boteco.it](http://www.boteco.it)  
Any unauthorized reproduction is strictly forbidden