

W832 - W833



STEEL SPRING PLUNGER WITH SLOTTED END AND NOSE PIN

Material:

Black-oxide treated class 5.8 steel ball plunger body.

Nose Pin:

Hardened steel turned nose pin.

Spring:

Spring in harmonic steel.

Trust type:

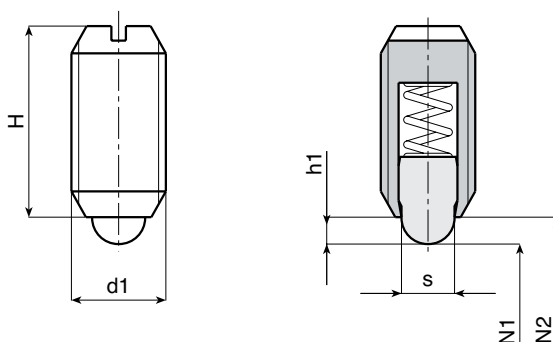
W832: Normal.

W833: Stronger.

Packs containing 10 pieces.

SPECIAL REQUESTS:

- None.



W832 Version: Normal thrust (thrust values in position N1 e N2)

Art.	s	H	h1	N1 (Newton)	N2 (Newton)	d1	g
W832.VBM04	1,8	9	1,5	6	20	M04	0,5
W832.VBM05	2,4	12	2	6	20	M05	1
W832.VBM06	2,7	14	2	7	20	M06	1,7
W832.VBM08	4	16	2	15	30	M08	4
W832.VBM10	4,5	19	2,5	20	35	M10	7
W832.VBM12	6	22	3,5	30	55	M12	13
W832.VBM16	8,5	24	4,5	45	100	M16	24
W832.VBM20	10	30	6,5	60	120	M20	46

W833 Version: STRONGER thrust (thrust values in position N1 e N2)

Art.	s	H	h1	N1 (Newton)	N2 (Newton)	d1	g
W833.VBM05	2,4	12	2	9	25	M05	1
W833.VBM06	2,7	14	2	11	25	M06	1,7
W833.VBM08	4	16	2	22	43	M08	4
W833.VBM10	4,5	19	2,5	20	54	M10	7
W833.VBM12	6	22	3,5	36	94	M12	13
W833.VBM16	8,5	24	4,5	60	110	M16	24