

# STEEL THREADED GRUB SCREW WITH HEXAGON SOCKET HEAD AND PLASTIC BALL POINT

## W849 - W849CIN



### Material:

#### Version W849:

Black-oxide treated class 10.9 steel grub screw body.

#### Version W849 CIN:

Grub screw body in stainless steel (AISI 303).

### Nose Pin:

#### Version W849:

Hardened ball bearing steel ball.

#### Version W849 CIN:

Hardened stainless steel ball (AISI 420).

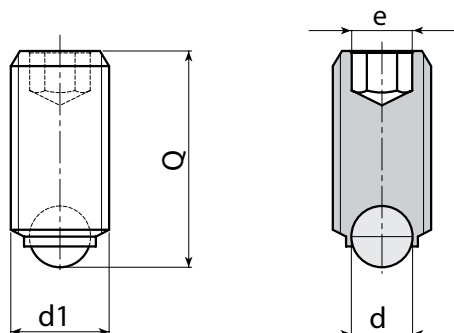
Packs containing 10 pieces.

### SPECIAL REQUESTS:

- None.



**INOX**



### W849 Version: in black oxide treated high-strength steel

Art.	d1	e	d	Q	g
W849.SBM04X..	M04	2	2,5	6-8-10-12-16	1-1-1-1-1
W849.SBM05X..	M05	2,5	3	8-10-16-20-25	1-1-1,7-2-2,9
W849.SBM06X..	M06	3	4	11-13-17-21-26	1,3-1,8-2,4-3-4
W849.SBM08X..	M08	4	4,5	11-13-17-21-26-31	3-3-4-5-7-9
W849.SBM10X..	M10	5	7	14-18-22-27-37	5-6-9-11-16
W849.SBM12X..	M12	6	8,5	18-22-32-42	10-11-18-21,5
W849.SBM16X..	M16	8	12	23-28-38-53	22-28-41-48
W849.SBM20X..	M20	10	15	34-44-64	54-74-120

Enter the grub screw length choice in the two . . of the code .

### W849 CIN Version: in stainless steel

Art.	d1	e	d	Q	g
W849.INM04X..CIN	M04	2	2,5	6-8-10-12-16	1-1-1-1-1
W849.INM05X..CIN	M05	2,5	3	8-10-16-20-25	1-1-1,7-2-2,9
W849.INM06X..CIN	M06	3	4	11-13-17-21-26	1,3-1,8-2,4-3-4
W849.INM08X..CIN	M08	4	5,5	11-13-17-21-26-31	3-3-4-5-7-9
W849.INM10X..CIN	M10	5	7	14-18-22-27-37	5-6-9-11-16
W849.INM12X..CIN	M12	6	8,5	18-22-32-42	10-11-18-21,5

Enter the grub screw length choice in the two . . of the code .

Presumable presence in the stock in %

(☺) 90% (☹) 40% (⊖) 5% (⊕)

BOTECO® - © All right reserved - www.boteco.it

Any unauthorized reproduction is strictly forbidden



W-P - 17

**W-P BALL PLUNGERS  
AND GRUB SCREW**

ver. W-PUK.02-0913