

# W851 - W851CIN



## STEEL WITH HEXAGON SOCKET HEAD AND FLATTENED BALL POINT

### Material:

#### Version W851:

Black-oxide treated class 10.9 steel grub screw body.

#### Version W851 CIN:

Stainless steel grub screw body (AISI 303).

### Nose Pin:

#### Version W851:

Flattened, hardened ball bearing steel ball.

Optimal angle of adaptation between 0° and 9°.

Ball is not fixed, free to rotate.

#### Version W851 CIN:

Flattened, hardened ball bearing steel ball.

Optimal angle of adaptation between 0° and 9°.

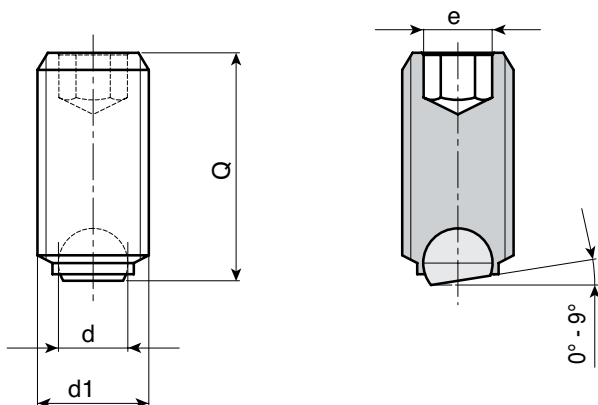
Ball is not fixed, free to rotate.



Packs containing 10 pieces.

### SPECIAL REQUESTS:

- None.



### W851 Version: in black oxide treated high-strength steel

Art.	d1	e	d	Q	g
W851.SBM04X..	M04	2	2,5	6-8-10-12-16	0,5-0,5-0,7-0,9-1
W851.SBM05X..	M05	2,5	3	7,5-9,5-11,5-15,5-19,5-24,5	1-1-1,5-1,5-2,5-3
W851.SBM06X..	M06	3	4	10-12-16-20-25	1,5-1,8-2,5-3-4
W851.SBM08X..	M08	4	5,5	10-12-16-20-25-30	2,5-3,5-4-5-7,5-9
W851.SBM10X..	M10	5	7	12-16-20-25-35	5-7-9-11-16
W851.SBM12X..	M12	6	8,5	16-20-30-40	10-12,5-20-28,5
W851.SBM16X..	M16	8	12	20-25-35-50	22-28-41-48
W851.SBM20X..	M20	10	15	30-40-60	54-74-120

Enter the grub screw length choice in the two . . of the code .

### W851 CIN Version: in stainless steel

Art.	d1	e	d	Q	g
W851.INM04X..CIN	M04	2	2,5	6-8-10-12-16	0,5-0,5-0,7-0,9-1
W851.INM05X..CIN	M05	2,5	3	7,5-9,5-11,5-15,5-19,5-24,5	1-1-1,5-1,5-2,5-3
W851.INM06X..CIN	M06	3	4	10-12-16-20-25	1,5-1,8-2,5-3-4
W851.INM08X..CIN	M08	4	5,5	10-12-16-20-25-30	2,5-3,5-4-5-7,5-9
W851.INM10X..CIN	M10	5	7	12-16-20-25-35	5-7-9-11-16
W851.INM12X..CIN	M12	6	8,5	16-20-30-40	10-12,5-20-28,5

Enter the grub screw length choice in the two . . of the code .