

# W861 - W861CIN



## STEEL WITH HEXAGON SOCKET HEAD AND PLASTIC POINT

**Material:**

**Version W861:**

Black-oxide treated class 10.9 steel grub screw body.

**Version W861 CIN:**

Stainless steel grub screw body (AISI 303).

**Nose Pin:**

Fixed plastic cylindrical point (Delrin).

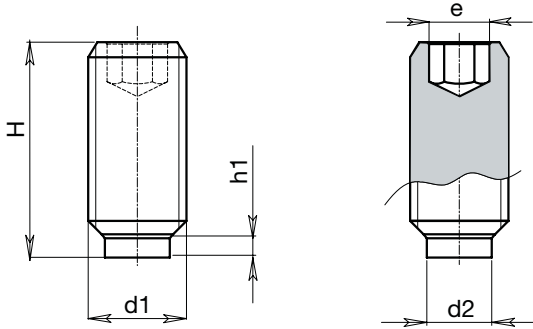
Packs containing 10 pieces.

**SPECIAL REQUESTS:**

- None.



**INOX**



**W861 Version: in black oxide treated steel**

Art.	d1	e	h1	d2	H	g
W861.SBM04X..	M04	2	1	2	7-9-11-13-17-31	1-1-1-1-1-2,5
W861.SBM05X..	M05	2,5	1	3	9-11-13-17-21-31	1-1-1-2-2-3,5
W861.SBM06X..	M06	3	1,3	3,5	11-13-17-21-26-33-41-51	1-1,5-2-3-4-5-6-8
W861.SBM08X..	M08	4	1,6	5	13,5-17,5-21,5-26,5-41,5-51,5	2-4-5-7-11-14
W861.SBM10X..	M10	5	1,9	6,5	18-22-27-34-42-52	5-7-9-13-16-21
W861.SBM12X..	M12	6	2,1	8	22-27-34-42-52-62	9-13-18-24-31-40

Enter the grub screw lenght choice in the two . . of the code .

**W861 CIN Version: in stainless steel**

Art.	d1	e	h1	d2	H	g
W861.INM04X..CIN	M04	2	1	2	7-9-11-13-17	1-1-1-1-1
W861.INM05X..CIN	M05	2,5	1	3	9-11-13-17-21	1-1-1-2-2
W861.INM06X..CIN	M06	3	1,3	3,5	11-13-17-21-26	1-1,5-2-3-4
W861.INM08X..CIN	M08	4	1,6	5	13,5-17,5-21,5-26,5-	2-4-5-7
W861.INM10X..CIN	M10	5	1,9	6,5	18-22-27-37	5-7-9-14
W861.INM12X..CIN	M12	6	2,1	8	22-32-42	9-18-24

Enter the grub screw lenght choice in the two . . of the code .