

Y631-Y631CIN



DIN 6311 - S DESIGN BASE WITH RING FOR STUD DIN 6332

Material:

Y631

(1) Harmonic steel retaining ring.
Case-hardened base.

Y631CIN

(1) Harmonic stainless steel retaining ring,
(Aisi 302). Stainless steel base, (Aisi 303).

Surface finish:

Y631: Case-hardened.

Y631CIN: Naturale, non trattata.

Colour:

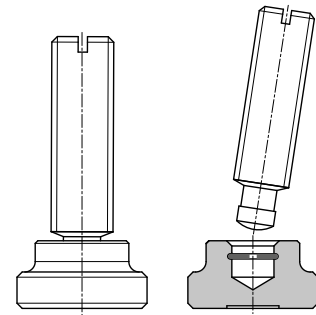
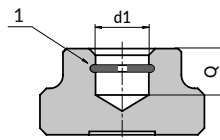
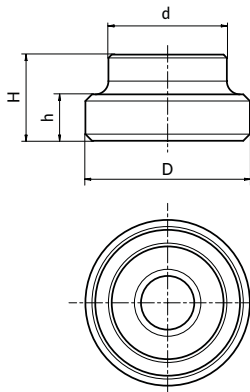
Y631: Standard black-oxide treatment.

Y631CIN: Natural.



SPECIAL REQUESTS:

- Upon request and for special quantities the base can be supplied with a low T design and a large clamping surface



Versione Y631: Base in acciaio brunito

Art.	D	d	H	h	For stud DIN 6332	d1 H12	Q	Δ g
Y631012.SBD04,6	12	10	7	2,5	M06	4,6	4	4
Y631016.SBD06,1	16	12	9	4	M08	6,1	5	9
Y631020.SBD08,1	20	15	11	5	M10	8,1	6	12
Y631025.SBD08,1	25	18	13	7	M12	8,1	7	34
Y631032.SBD12,1	32	22	15	7	M16	12,1	7,5	57
Y631040.SBD15,6	40	28	16	9	M20	15,6	8	103

Versione Y631CIN: Base in acciaio inox

Art.	D	d	H	h	For stud DIN 6332	d1 H12	Q	Δ g
Y631012.IND04,6CIN	12	10	7	2,5	M06	4,6	4	4
Y631016.IND06,1CIN	16	12	9	4	M08	6,1	5	9
Y631020.IND08,1CIN	20	15	11	5	M10	8,1	6	12
Y631025.IND08,1CIN	25	18	13	7	M12	8,1	7	34
Y631032.IND12,1CIN	32	22	15	7	M16	12,1	7,5	57
Y631040.IND15,6CIN	40	28	16	9	M20	15,6	8	103

INOX