

Y710



SINGLE SPLIT SHAFT COLLAR - B DESIGN - (MORE CLAMPING FORCE +15%)

Materials (1):

Y710:

Turned free-cutting steel.

Y710PIN:

Turned stainless steel (Aisi 303).

Y710AND:

Turned aluminium (Al 6060).

Surface finish:

Fine turned.

Colour:

Y710:

Standard black-oxide treatment.

Y710PIN:

Natural.

Y710AND:

Natural.

Fixing screws (2):

Y710:

No. 1 black-oxide treated steel socket head screw, class 12.9 DIN 912

Y710PIN - Y710AND :

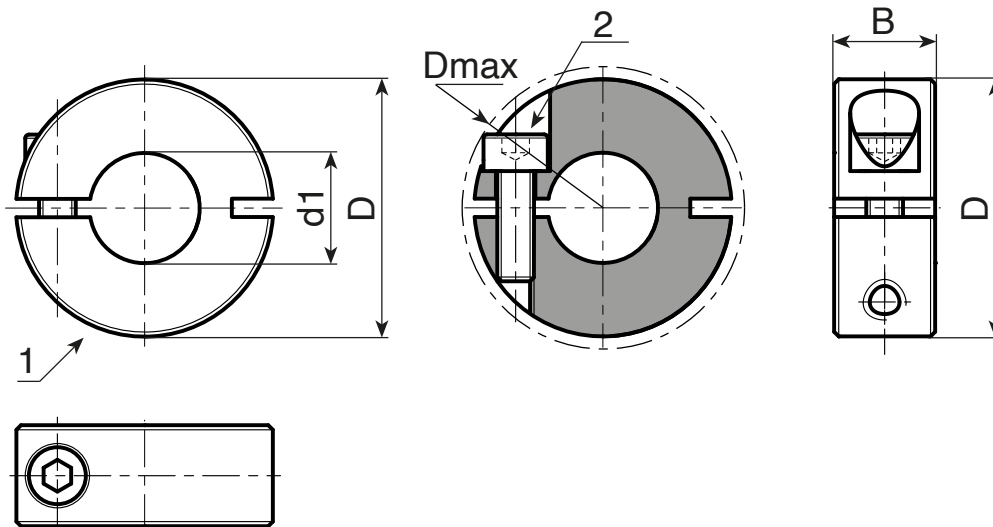
No. 1 stainless steel socket head screw (Aisi 304) DIN 912.

ATTENTION:

We recommend making the shaft with a tolerance less than h11.

Special requests:

- None.



Version Y710: Black-oxide treated steel shaft collars

Art.	D	Dmax	B	d1	DIN 912	g
Y710016.VBD04	16	20.7	9	4	M03x8	11.8
Y710016.VBD05	16	20.7	9	5	M03x8	11.4
Y710016.VBD06	16	20.7	9	6	M03x8	10.5
Y710018.VBD08	18	22.4	9	8	M03x8	13
Y710024.VBD10	24	26	9	10	M03x10	23
Y710028.VBD12	28	31.8	11	12	M04x12	39
Y710034.VBD15	34	39.4	13	15	M05x16	68.5
Y710034.VBD16	34	39.4	13	16	M05x16	64.5
Y710036.VBD18	36	41.1	13	18	M05x16	70
Y710040.VBD20	40	46.4	15	20	M06x18	103
Y710042.VBD22	42	48.1	15	22	M06x18	103
Y710045.VBD25	45	50.8	15	25	M06x18	118
Y710048.VBD28	48	53.7	15	28	M06x18	129
Y710054.VBD30	54	58.6	15	30	M06x18	175
Y710060.VBD40	60	65	15	40	M06x18	171
Y710078.VBD50	78	87	19	50	M08x25	400

Y710



AVP

Aisi 303

AI



SINGLE SPLIT SHAFT COLLAR - B DESIGN - (MORE CLAMPING FORCE +15%)



INOX

Version Y710 PIN: Stainless steel (Aisi 303) shaft collars

Art.	D	Dmax	B	d1	DIN 912	g
Y710016.IND04PIN	16	20.7	9	4	M03x8	11.8
Y710016.IND05PIN	16	20.7	9	5	M03x8	11.4
Y710016.IND06PIN	16	20.7	9	6	M03x8	10.5
Y710018.IND08PIN	18	22.4	9	8	M03x8	13
Y710024.IND10PIN	24	26	9	10	M03x10	23
Y710028.IND12PIN	28	31.8	11	12	M04x12	39
Y710034.IND15PIN	34	39.4	13	15	M05x16	68.5
Y710034.IND16PIN	34	39.4	13	16	M05x16	64.5
Y710036.IND18PIN	36	41.1	13	18	M05x16	70
Y710040.IND20PIN	40	46.4	15	20	M06x18	103
Y710042.IND22PIN	42	48.1	15	22	M06x18	109
Y710045.IND25PIN	45	50.8	15	25	M06x18	118
Y710048.IND28PIN	48	53.7	15	28	M06x18	129
Y710054.IND30PIN	54	58.6	15	30	M06x18	175
Y710060.IND40PIN	60	65	15	40	M06x18	171
Y710078.IND50PIN	78	87	19	50	M08x25	400

AI

Version Y710AN: Natural aluminium shaft collars

Art.	D	Dmax	B	d1	DIN 912	g
Y710016.AND04	16	20.7	9	4	M03x8	5.1
Y710016.AND05	16	20.7	9	5	M03x8	5
Y710016.AND06	16	20.7	9	6	M03x8	4.6
Y710018.AND08	18	22.4	9	8	M03x8	5.3
Y710024.AND10	24	26	9	10	M03x10	9.2
Y710028.AND12	28	31.8	11	12	M04x12	15
Y710034.AND15	34	39.4	13	15	M05x16	27
Y710034.AND16	34	39.4	13	16	M05x16	26.5
Y710036.AND18	36	41.1	13	18	M05x16	28.5
Y710040.AND20	40	46.4	15	20	M06x18	41
Y710042.AND22	42	48.1	15	22	M06x18	42.5
Y710045.AND25	45	50.8	15	25	M06x18	45.5
Y710048.AND28	48	53.7	15	28	M06x18	51
Y710054.AND30	54	58.6	15	30	M06x18	66
Y710060.AND40	60	65	15	40	M06x18	67
Y710078.AND50	78	87	19	50	M08x25	152