

1-060 Snap/Push-Lock

with slam function



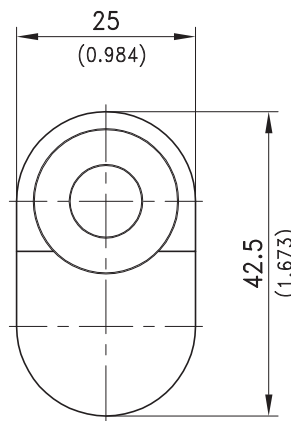
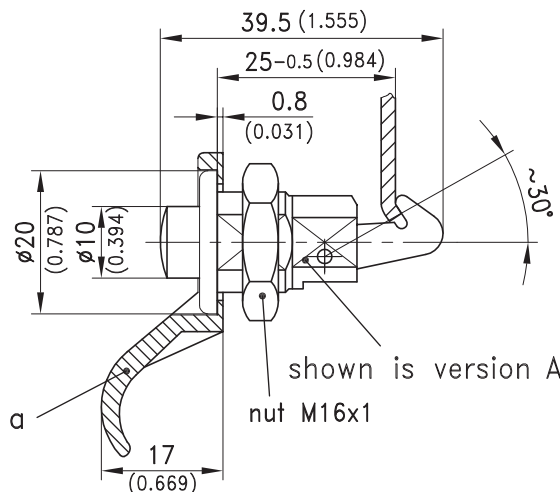
Snap/Push lock with slam function, nut or clip fixing.

- Released by pushing.
- Larger lockable version see product system 1-500 or 1-501.

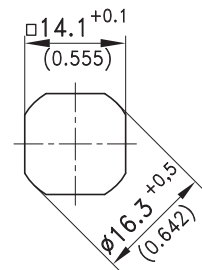
Material:

- Version A:
- **Snap-lock:** zinc die, chrome plated
 - a)
 - **Fingerpull:** PA, black

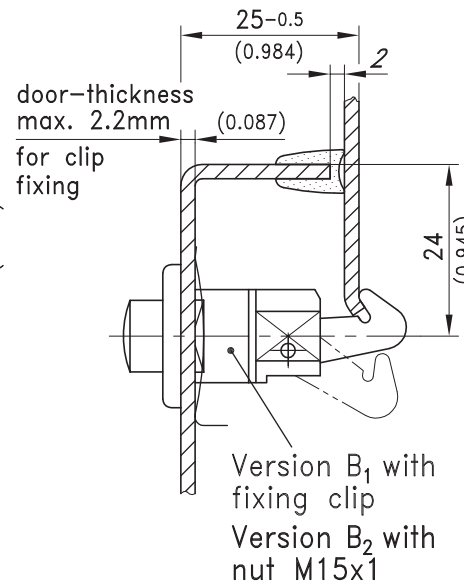
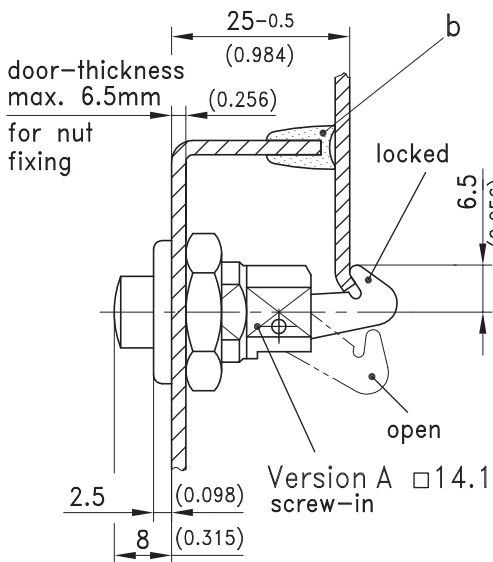
- Version B:
- **Snap-lock:** zinc die, chrome plated



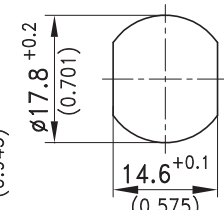
Cutout for version A



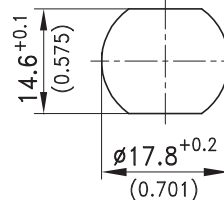
Cutouts for version B



vertical door



horizontal door



Snap/Push lock Version A	Part No.	see page
A for square 14.1mm	252-9001	
Please order separately:		
a) Finger pull	220-1301	
(only for version A)		
Snap/Push lock Version B		
B1 with fixing clip	252-9003	
B2 with nut M15x1	252-9004	
b) e.g. Rectangular Profiles	209-0301	07.09