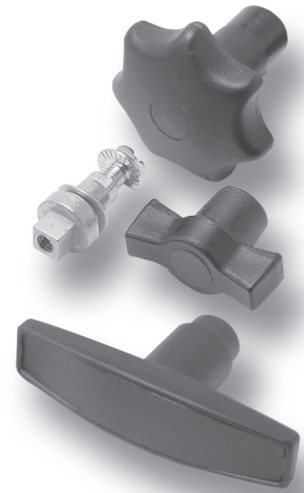


1-115 Handle for Quarter-Turn

large program assembled afterwards

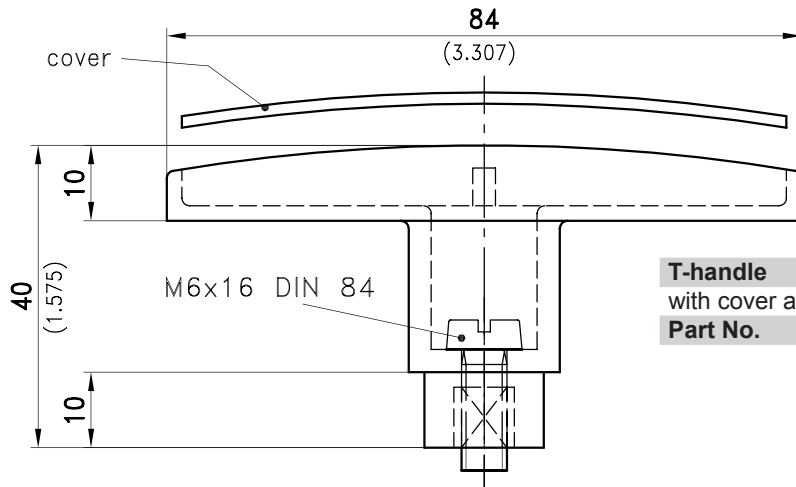


Knobs and handles for Quarter-Turns, see product system 1-100, 1-160 or 1-200, can be assembled afterwards for easier transport and packaging (flush).

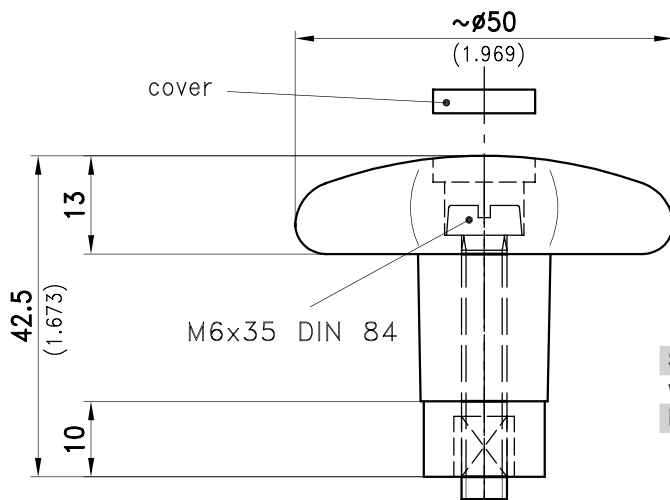
- All screws are included.

Material:

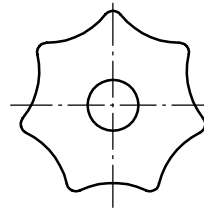
- **Knobs/handles:** PA, black
- **Basic insert:** zinc die, zinc plated



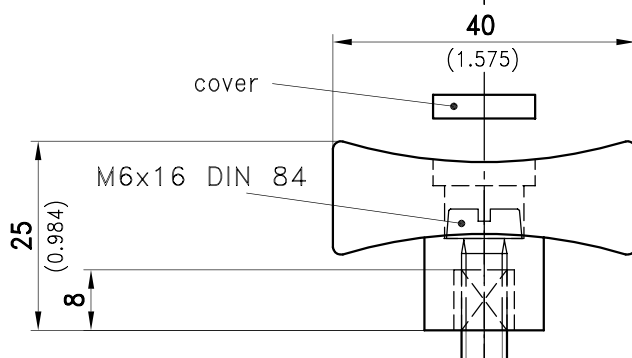
T-handle
with cover and screw
Part No. 200-9134



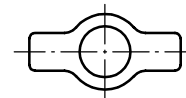
View from top



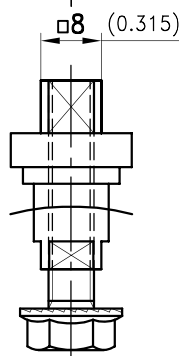
Star knob
with cover and screw
Part No. 200-9135



View from top



Wing knob
with cover and screw
Part No. 200-9136



Please order separately:
Basic insert for the knobs shown to the left, with internal M6 thread at both ends
Part No. 200-9137