

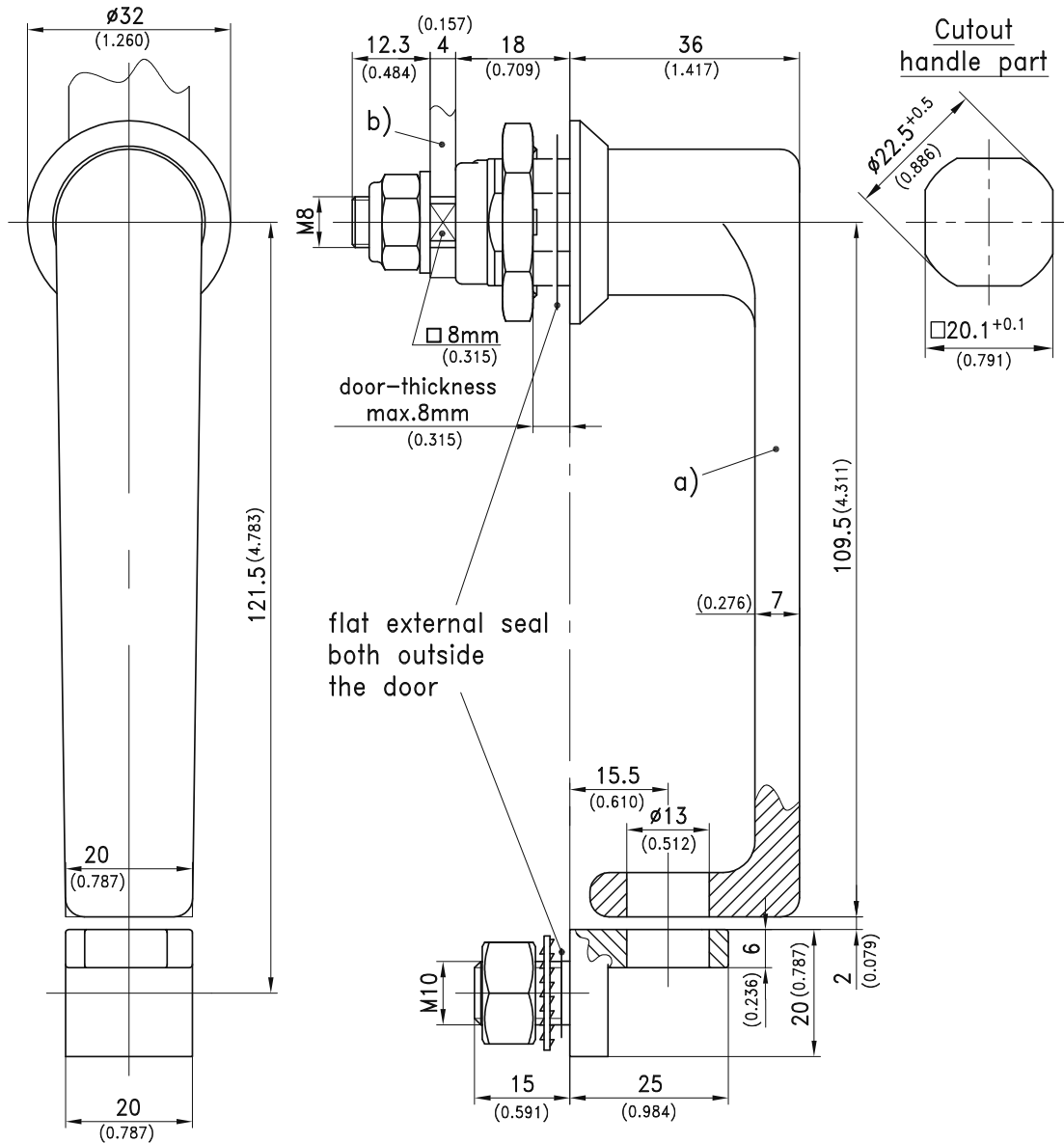
# 1-153 Quarter-Turn with Handle Pr20.1 L18

for Padlock



- L-Handle for padlock, with 90° rotation
- RH or LH application.
  - Water- and dust-tight according to IP65 DIN EN 60529.

- Material:**
- **Handle, Hook and housing:** zinc die, black
  - **Both threaded shafts in handle and hook:** steel, zinc plated



04/12/2010  
© copyright by DIRAK / Germany

DIRAK GmbH Königsfelder Str. 1 D-58256 Ennepetal  
Phone: +49 (0) 2333.837-0 Fax: +49 (0) 2333.837-100 www.dirak.com

	Part No.	see page
a) L-Handle complete	100-9413	
b) Cam/3-point cam		02.58
Special cams		02.61
Stainless steel version		10.20