



## 2-077 Swinghandle RS PrC with Cylinder Barrel

Swinghandle with 90° closing rotation. For 3-point cams / round rods

### Benefits:

- ▶ Low profile design.
- ▶ Cylinder barrel DIRAK 1333 with stainless steel dust cap.
- ▶ The pre-assembled swinghandle (single or 3-point cam) can be inserted from the back into the cutout and secured with screws.
- ▶ RH / LH application is achieved by the rotating bottom with limiting stop at 90°.
- ▶ IP65 DIN EN 60529 by captive sealing.
- ▶ Key with synthetic coated grip.
- ▶ H-dimension of cam  $\geq$  16mm.
- ▶ (S) = max. 3mm.

### Material:

- ▶ **Swinghandle, shaft and bottom:** zinc die, black
- ▶ **Door dish:** PA6, black
- ▶ **Cam:** zinc die, untreated
- ▶ **O-Ring:** NBR
- ▶ **Seal:** TPE
- ▶ **Screws and clamp:** steel, zinc plated

- 1. = Rotating bottom
- 2. = Clamp
- 3. = Captive seal

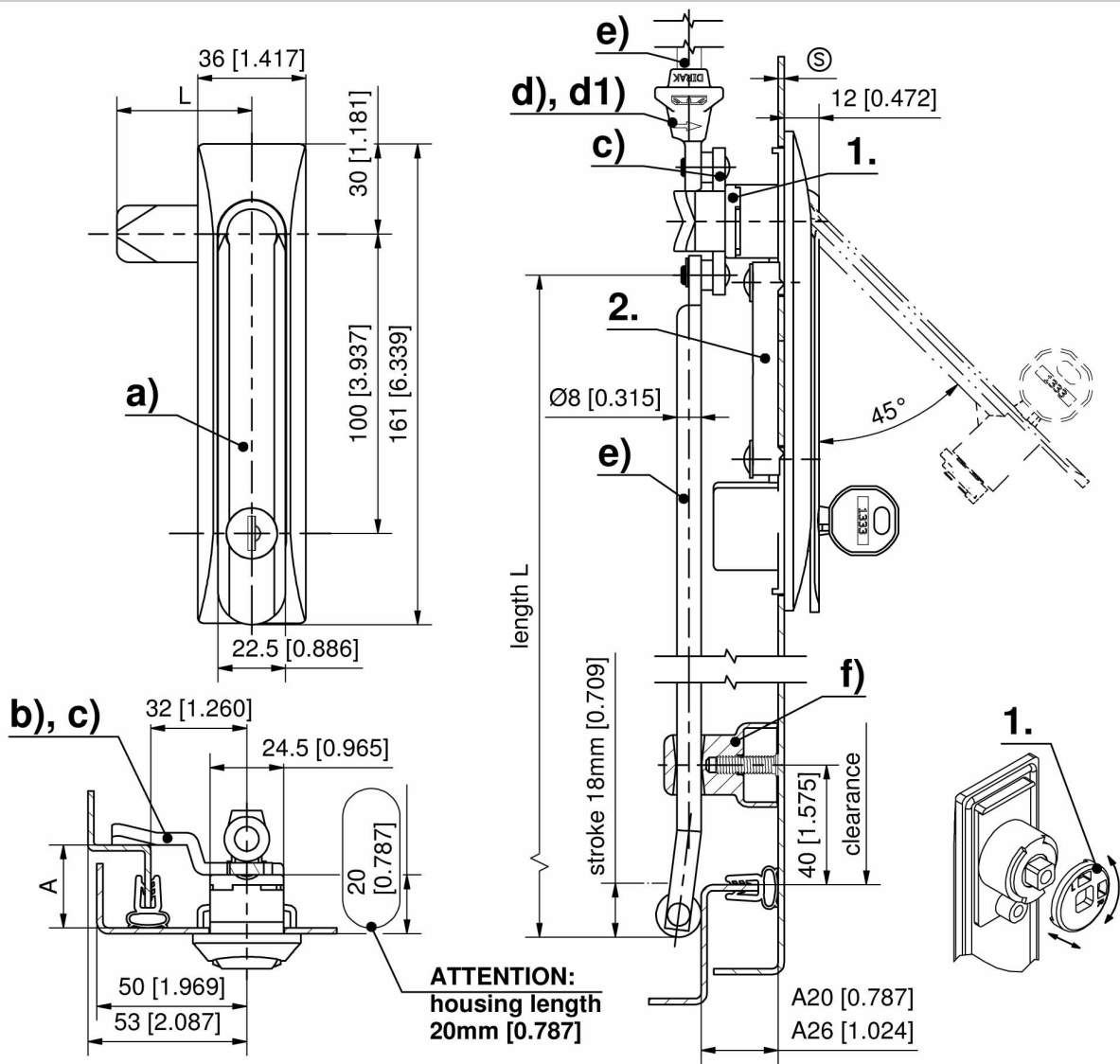


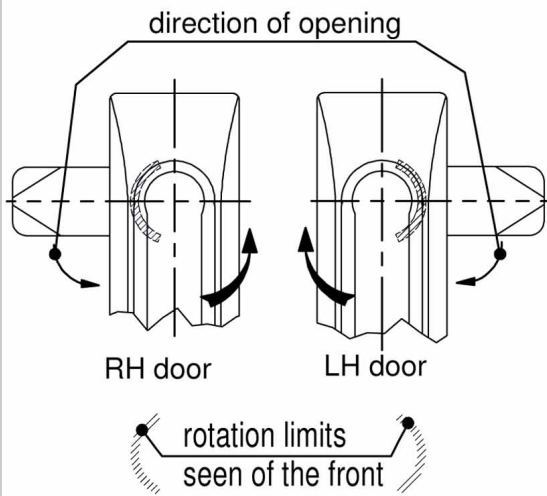
## Swinghandle

	Part Number	Latching type	Surface handle	Surface dish	Lockable	Closing	Installation type
a)	407-9604.00-00000	Cylinder	black	black	Yes	keyed alike DIRAK 1333	screw-on

Complementary Products:

b)	1-095	Cams PA
b)	1-102	Cams L35/45
b)	1-262	Cam with or without ramp
c)	2-151	2-, 3- and 4-Point Cam Adapter
d)	1-181SL	Adapter PA for Round Rods SNAP-LINE
d1)	1-181.01	Adapter for Round Rods
e)	1-170	Round Rods
e)	1-180	Round Rods
f)	1-190	Rod Guides for 8mm Round Rods
f)	1-192	Rod Guides
f)	1-193SL	Rod Guide RS SNAP-LINE
	1-105	Roller Cam height adjustable





The cam rotation is limited to 90°  
RH or LH if single point or multi-point  
cams have a stop.

