

2-400 Rod Latch

for internal release, for swinghandle

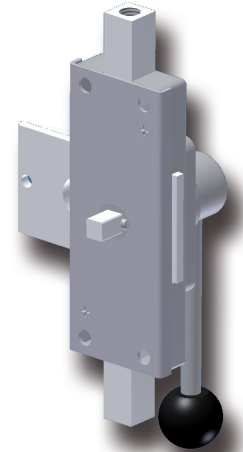


Rod latch for swinghandles and dual cylinder swinghandles with internal release.

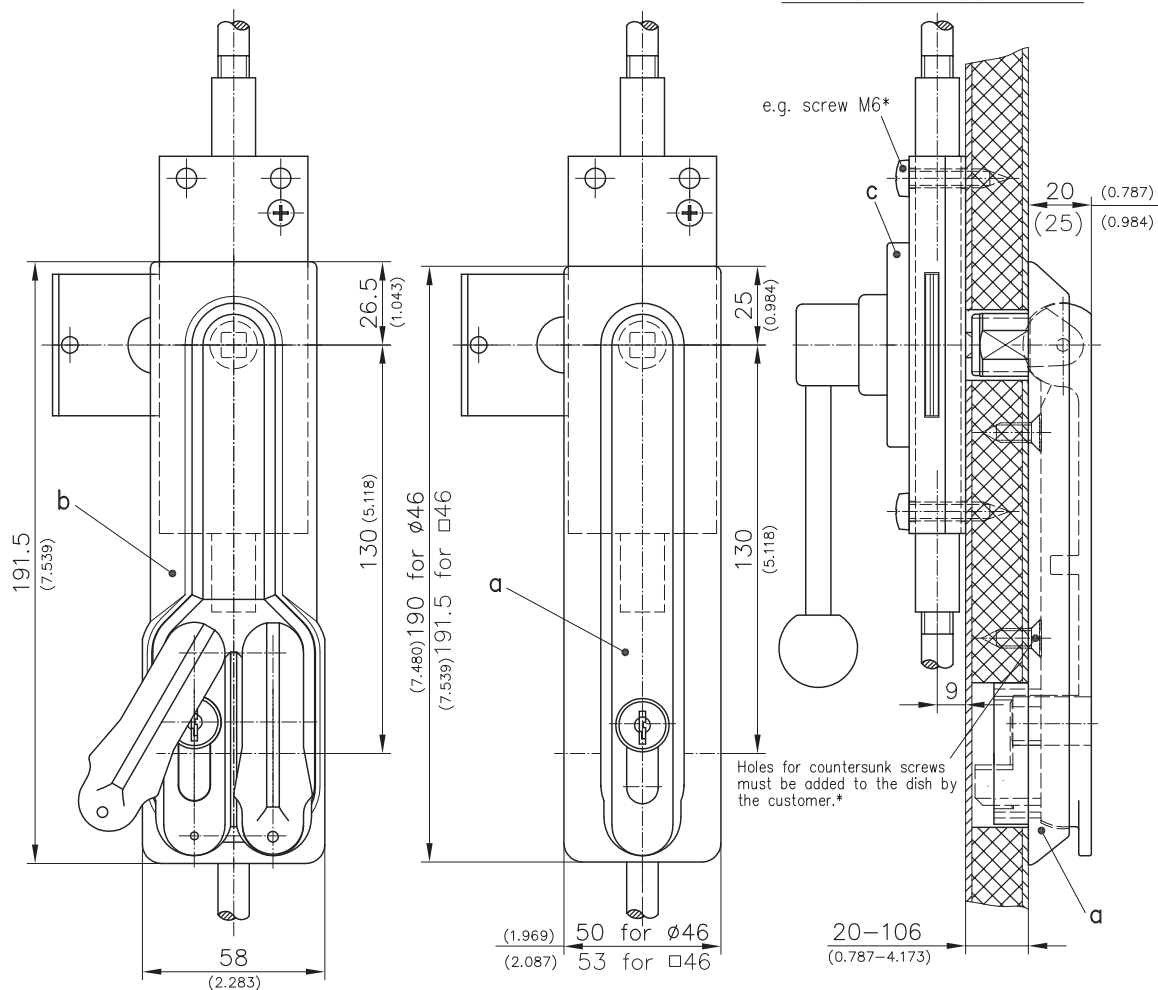
- Door can be released from inside at any swinghandle position.
- Door-thicknesses from 20 to 106mm.
- With 90° stroke.

Material:

- a) to a3)
 - **Swinghandle:** PA, black or zinc die, black
 - **Dish:** PA, black
- b)
 - **Swinghandle and dish:** zinc die, black
- c)
 - **Rod latch:** zinc die / steel, zinc plated



Example of application

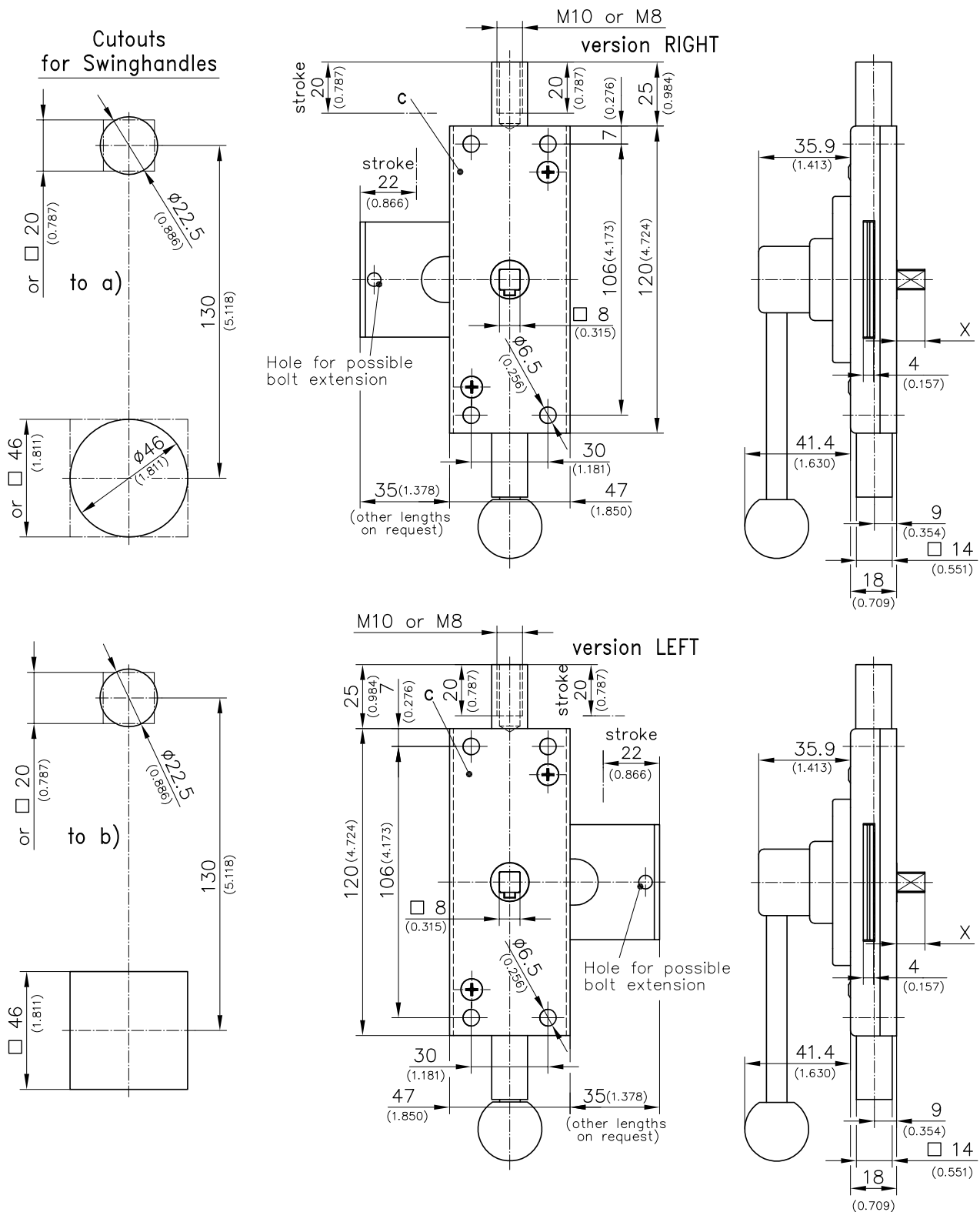


Swinghandle for rod latch	Cutout 130/Ø46	Cutout 130/□46	see page
a) Swinghandle for rod latch, PA (black) for profile-cylinder 40mm long	207-9052	207-9315	
a1) as a), but with cylinder dustcover	207-9053	207-9316	
a2) as a1), but 5mm raised for profile-cylinder 45mm	207-9054	207-9317	
a3) as a2), but handle, zinc die (black), dish, PA black	207-9055	207-9318	
b) Dual cylinder swinghandle for rod latch, zinc die	-	207-9416	
For further details			03.27, 03.34, 03.35

* not included

2-400 Rod Latch

for internal release, for swinghandle



c) Rod latch with knob for internal release

Door-thickness	rod connection threaded M10		rod connection threaded M8	
	version right	version left	version right	version left
20-26 / 0.787-1.024	238-9101	238-9102	238-9301	238-9302
27-33 / 1.063-1.299	238-9103	238-9104	238-9303	238-9304
34-40 / 1.339-1.575	238-9105	238-9106	238-9305	238-9306
70-76 / 2.756-2.992	238-9107	238-9108	238-9307	238-9308
100-106 / 3.937-4.173	238-9109	238-9110	238-9309	238-9310

X For non-listed door-thickness < 100mm / 3.937: Shorten square shaft

Formula: dimension "X" = door-thickness - 10mm / 0.394