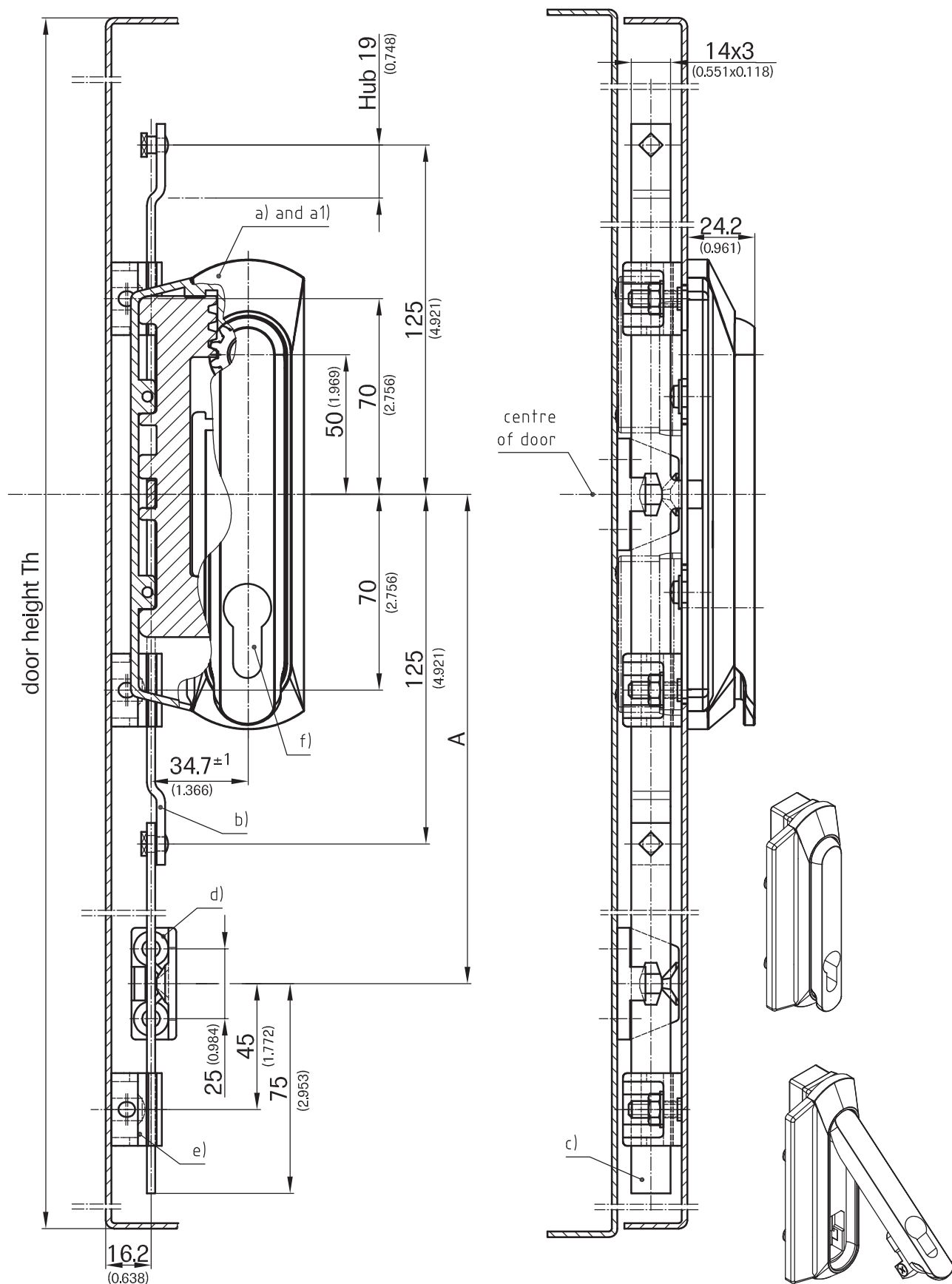


3-310 Swinghandle FS

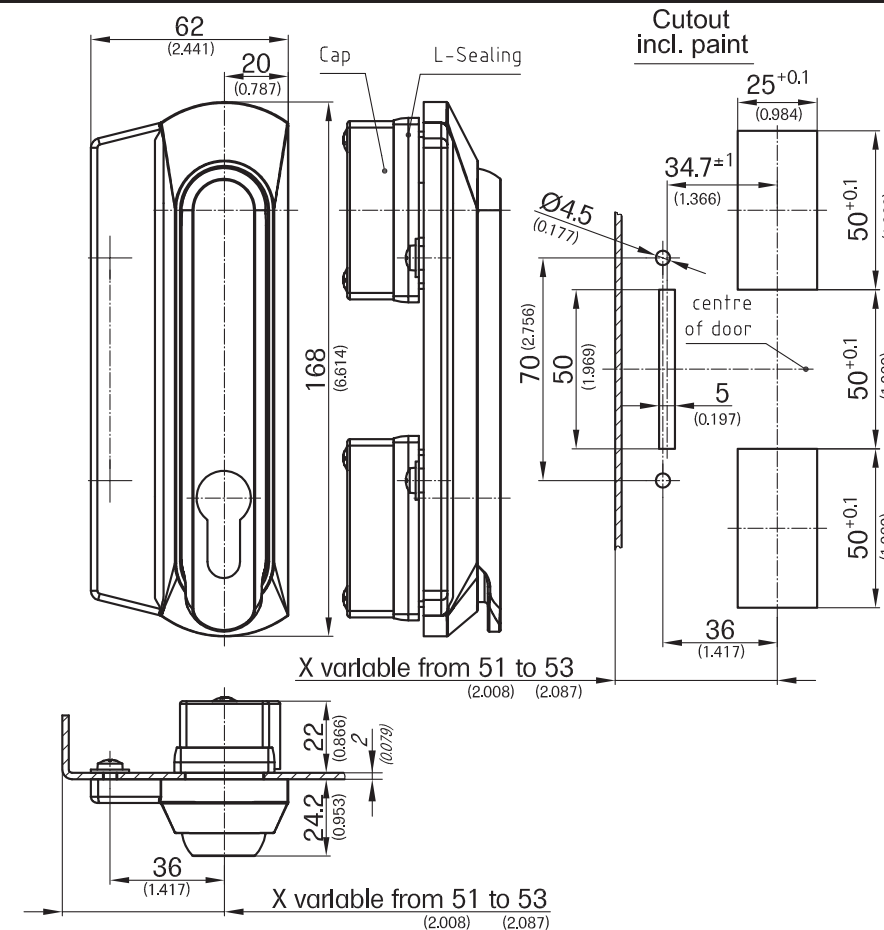
OFFSET-DUO-3 for extremely NARROW frame width



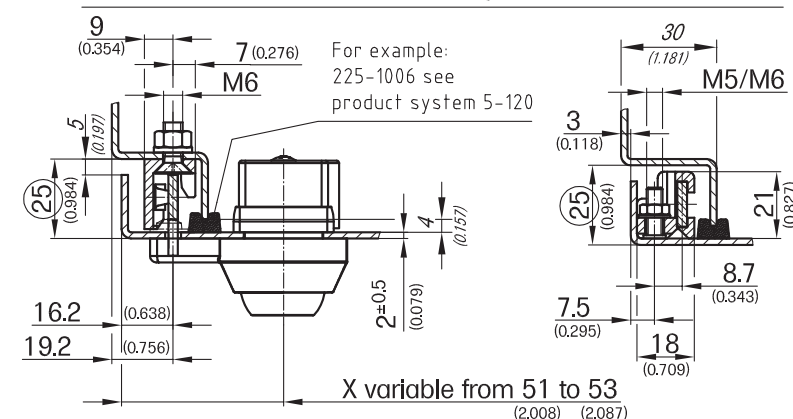
© copyright by DIRAK / Germany

3-310 Swinghandle FS

OFFSET-DUO-3 for extremely NARROW frame width



Sample of application for extremely NARROW frame width



Swinghandle System OFFSET-DUO-3 for extremely NARROW frame width can be used to control the rod-latch systems see product system 3-301.

- The Swinghandle controls the rod-slider, which is situated on the outer door-skin.
- At the very door-flange, outside the sealing area, this slider controls the latching rod-system.
- This now allows frame-widths of only 30mm.
- The symmetrical rods allow two-, three- or multi point latching (see product system 3-301).
- The 2 internal swinghandle caps are sealed to IP 65.

Material:

- **Swinghandle and dish:** PA6 / Durethan BKV 30N1, black
- **Cap and Plug:** PA6 30GF IQ
- **L-Sealing (caps):** NBR/Perbunan 70° +/- 5° Shore A
- **Locking Slider:** steel, zinc plated
- **Swinghandle pinion:** ZL 0410 EN 1774
- **Countersunk screw:** stainless steel
- **Pan-Head tapping screw:** steel, zinc plated

					Part-No.	
a)	Swinghandle System RH (as drawn)				307-9003	
a1)	Swinghandle System LH				307-9004	
b)	Central controlling rod per lock system order 1 off				307-9001	
c)	Extension rod	for door height	distance of hook	Numbers of		
		per lock system order 2 off	Th	A		Latching hooks
		800-1200	31.496-47.244	300 11.811	2	208-0942
		1200-1600	47.244-62.992	500 19.685	2/3	208-0943
		1600-1900	62.992-74.803	700 27.559	3	208-0944
		1900-2200	74.803-86.614	850 33.465	3	208-0945
d)	Latching hook				208-1424	
e)	Rod Guide NARROW for weld - stud M5				208-1509.03	
	Rod Guide NARROW for weld - stud M6					
f)	Profile Cylinder see product system 2-140 for cylinders to DIN 18252.				208-1517.03	

12/16/08

© copyright by DIRAK / Germany

