



4-125SL Concealed Hinge Pr03 SNAP-LINE 130°



Lift-off, door bending 25mm, for surface mounted door, door-part with quick installation, tool-less installation

Benefits:

- ▶ 130° Hinge SNAP-LINE, concealed, for H.D. applications.
- ▶ RH or LH application.
- ▶ By pulling the pin upwards (or downwards), the door-part of the hinge is released and the door can be removed.
- ▶ No tools needed. Just push the door onto the pin of the frame-part.
- ▶ The pin engages to the wire springs at the frame-part and so it is captive.
- ▶ Depending on the shown options, the captive pin is pre-assembled from the top or upside-down.
- ▶ The frame-part is installed by a simple push into the cutout.
- ▶ The O-ring for IP65 DIN EN 60529 is included.
- ▶ Front release with a screwdriver (blade size 0.354x0.059 inch). Release from behind: use the standard DIRAK tool for uninstallation.
- ▶ Version with removable door-part: refer to product system 4-124SL.
- ▶ Stainless steel version see product system 7-164SL.
- ▶ 130° Opening angle.

Material:

- ▶ **Frame-part:** zinc die, untreated
- ▶ **Door-part and slider:** zinc die, zinc plated
- ▶ **Pin:** steel, zinc plated
- ▶ **Snap wedges:** sintered metal, plated
- ▶ **O-Ring:** NBR



Hinge, option 1 / LH, pin bottom, RH, pin top

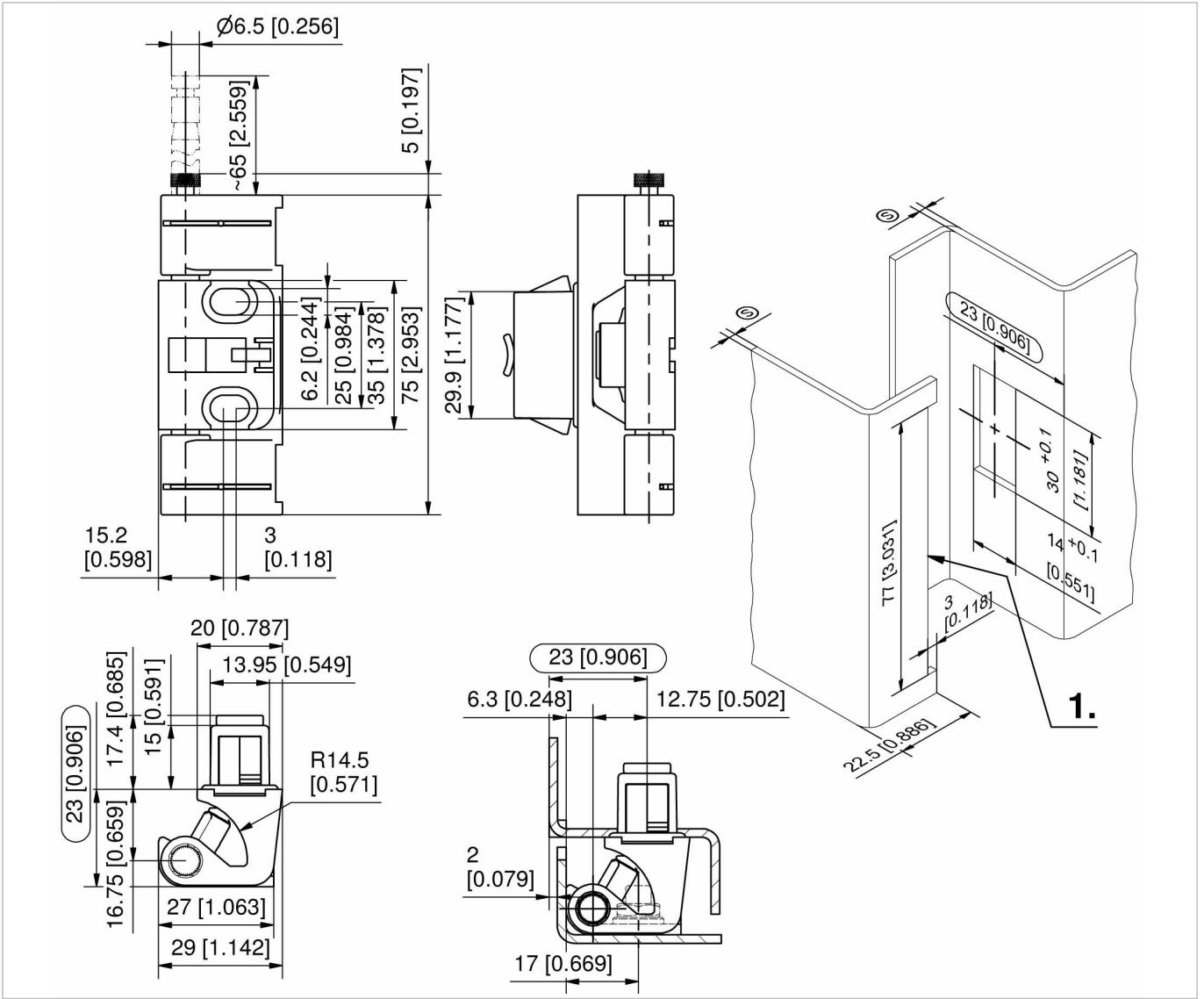
| Part Number | Pin version | Clamping range (S) | Installation type |
|-------------------|-------------|--------------------|----------------------|
| 443-9101.00-20015 | Captive | 1.2 - 1.7 | Tool-less / screw-on |
| 443-9101.00-20020 | Captive | 1.7 - 2.2 | Tool-less / screw-on |
| 443-9101.00-20025 | Captive | 2.2 - 2.7 | Tool-less / screw-on |
| 443-9101.00-20030 | Captive | 2.7 - 3.2 | Tool-less / screw-on |
| 443-9101.00-20033 | Captive | 3.0 - 3.5 | Tool-less / screw-on |

Hinge option 2/ Door LH, pin top/ Door RH, pin bottom

| Part Number | Pin version | Clamping range (S) | Installation type |
|-------------------|-------------|--------------------|----------------------|
| 443-9101.00-10015 | Captive | 1.2 - 1.7 | Tool-less / screw-on |
| 443-9101.00-10020 | Captive | 1.7 - 2.2 | Tool-less / screw-on |
| 443-9101.00-10025 | Captive | 2.2 - 2.7 | Tool-less / screw-on |
| 443-9101.00-10030 | Captive | 2.7 - 3.2 | Tool-less / screw-on |
| 443-9101.00-10033 | Captive | 3.0 - 3.5 | Tool-less / screw-on |

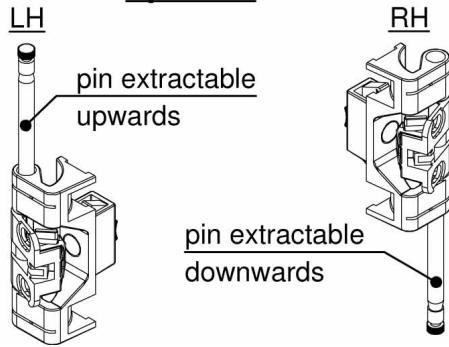
Complementary Products:

| | |
|-------------------|--|
| 292-0402.00-03014 | Cutout-cover |
| 292-0701.15-01530 | Reinforcement plate for cutout SNAP-LINE |
| 292-0306.80-02530 | Tool for uninstallation |
| 292-0301.15-00000 | Tool for uninstallation |

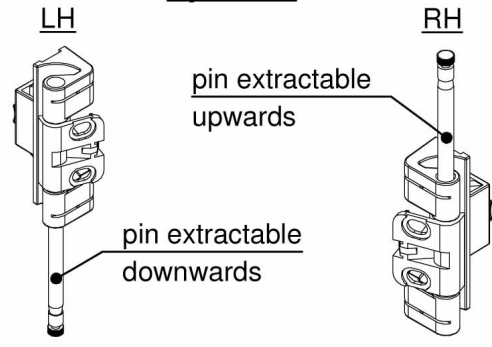


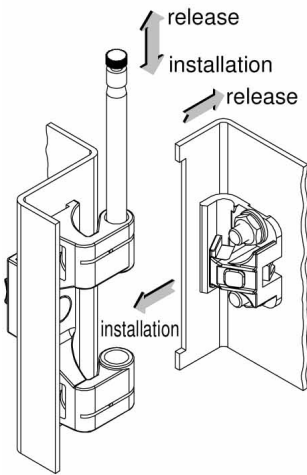
Examples of installation situations

option 1

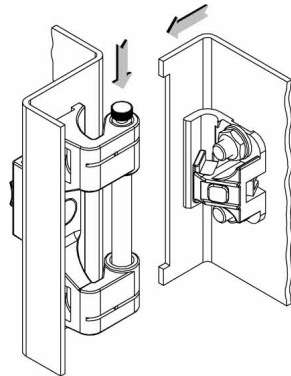


option 2





To remove the door, pull the pin till it latches in the **captive** end position.



Door installation: Push the pin till it latches in the spring loaded closed position. Just push the door onto the pin of the frame part. No tools needed.

