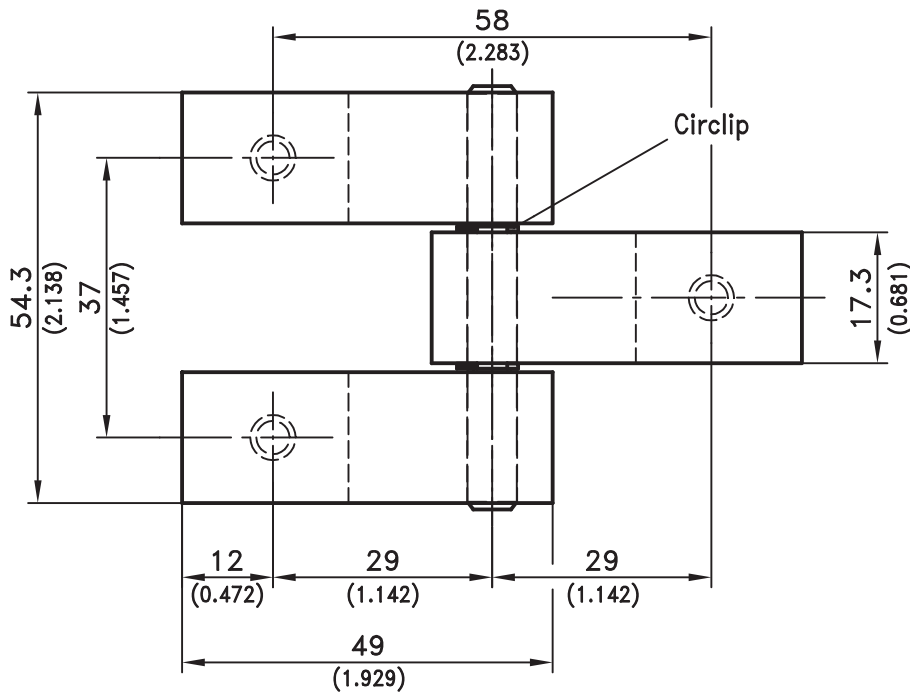
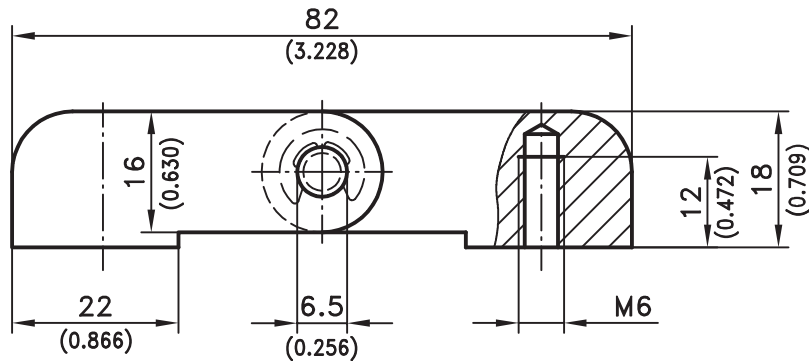


# 4-240 Hinge Pr01 180° for nested door



Hinge for flush door construction.  
• RH or LH application.

**Material:**

- **Bodies:** zinc die, black
- **Pin and washers:** AISI 304

Part No. 219-9104

12/16/08

© copyright by DIRAK / Germany

