



4-249.01SL Hinge Pr01 SNAP-LINE 180°

for nested door, tool-less installation

Benefits:

- ▶ Small elegant hinge.
- ▶ 180° Opening angle.
- ▶ Installation by a simple push into the cutout.

Material:

- ▶ **Hinge parts:** zinc die, matt chrome plated or black
- ▶ **Pin:** stainless steel
- ▶ **Snap wedges:** sintered steel, zinc plated



Hinge, zinc die, black

Part Number	Pin version	Clamping range (S)	Material Pin	Installation type
418-9301.33-00008	pressed in	0.6 - 0.9	stainless steel	Tool-less
418-9301.33-00010	pressed in	0.8 - 1.1	stainless steel	Tool-less
418-9301.33-00014	pressed in	1.2 - 1.5	stainless steel	Tool-less
418-9301.33-00020	pressed in	1.8 - 2.1	stainless steel	Tool-less
418-9301.33-00024	pressed in	2.2 - 2.5	stainless steel	Tool-less

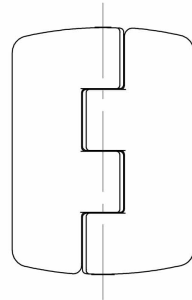
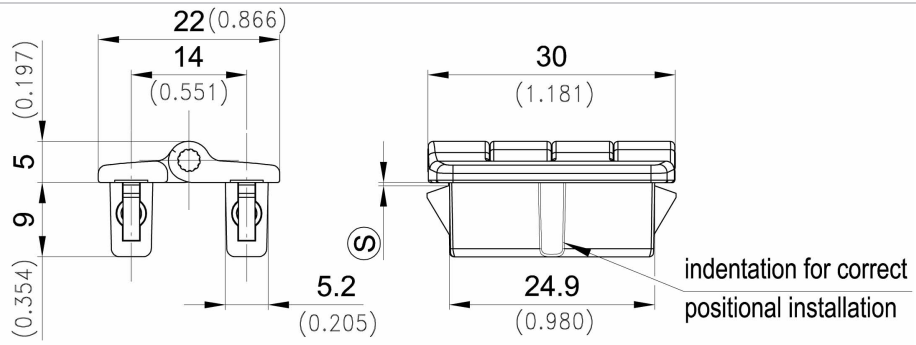
Hinge, zinc die,chrome plated matt

Part Number	Pin version	Clamping range (S)	Material Pin	Installation type
418-9301.40-00008	pressed in	0.6 - 0.9	stainless steel	Tool-less
418-9301.40-00010	pressed in	0.8 - 1.1	stainless steel	Tool-less
418-9301.40-00014	pressed in	1.2 - 1.5	stainless steel	Tool-less
418-9301.40-00020	pressed in	1.8 - 2.1	stainless steel	Tool-less
418-9301.40-00024	pressed in	2.2 - 2.5	stainless steel	Tool-less

Complementary Products:

292-0306.80-02530

Tool for uninstallation



Cutout
incl. paint

Example of application

