

# 4-264 Hinge Pr01 270°

for nested door

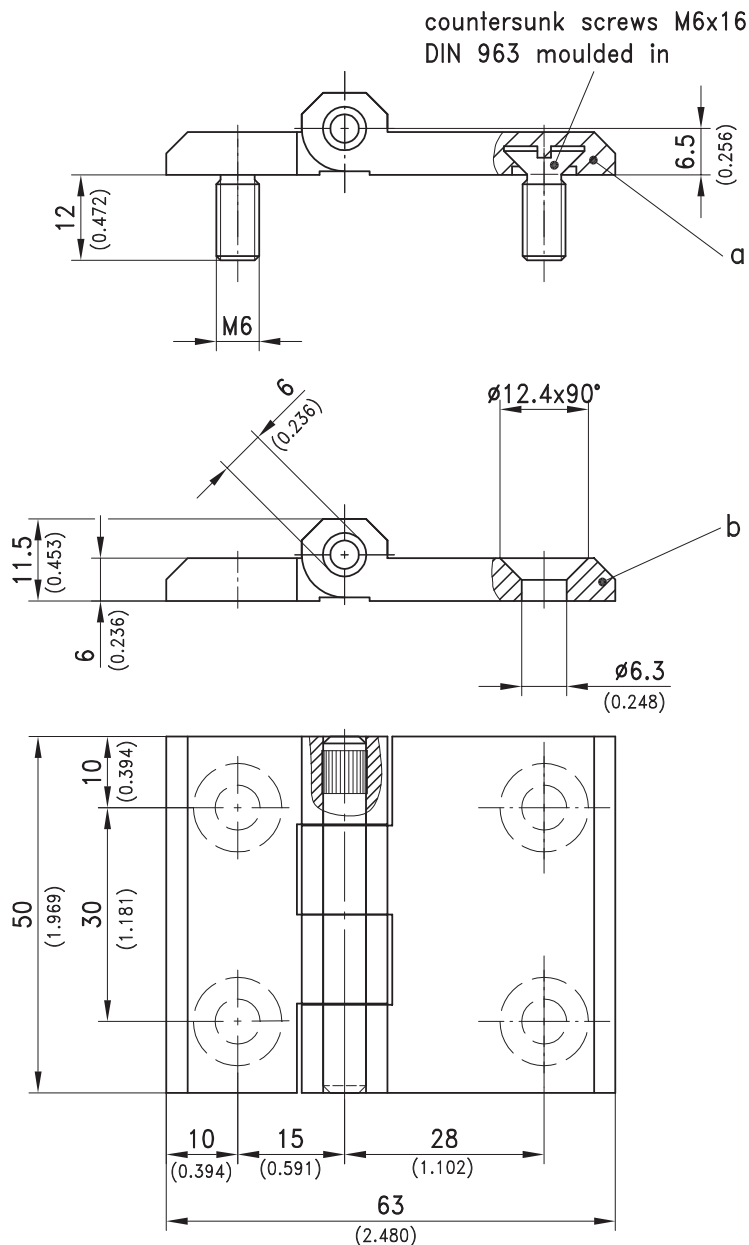
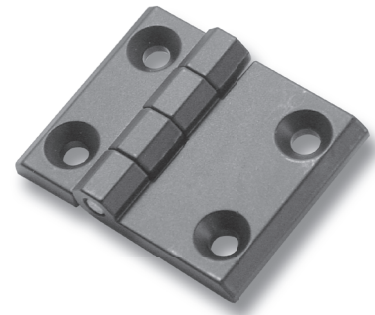


Screw-on Hinge.

- RH or LH application.
- 270° Opening angle.

**Material:**

- a) and b)
- **Hinge halves:** zinc die, chrome plated or black coated
- **Pin:** stainless steel



version	zinc die, chrome plated	zinc die, black	see page
a) Hinge with molded in countersunk screws	218-9124	218-9125	
b) with countersunk holes for M6	218-9109	218-9110	
to b) countersunk machine screws			09.05
Version b) in stainless steel			10.57