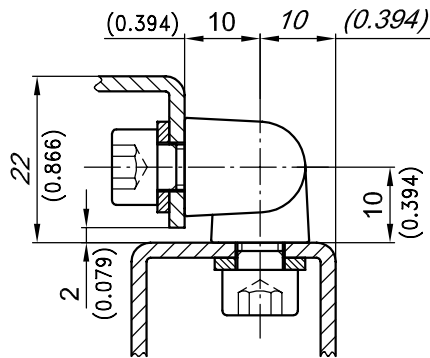
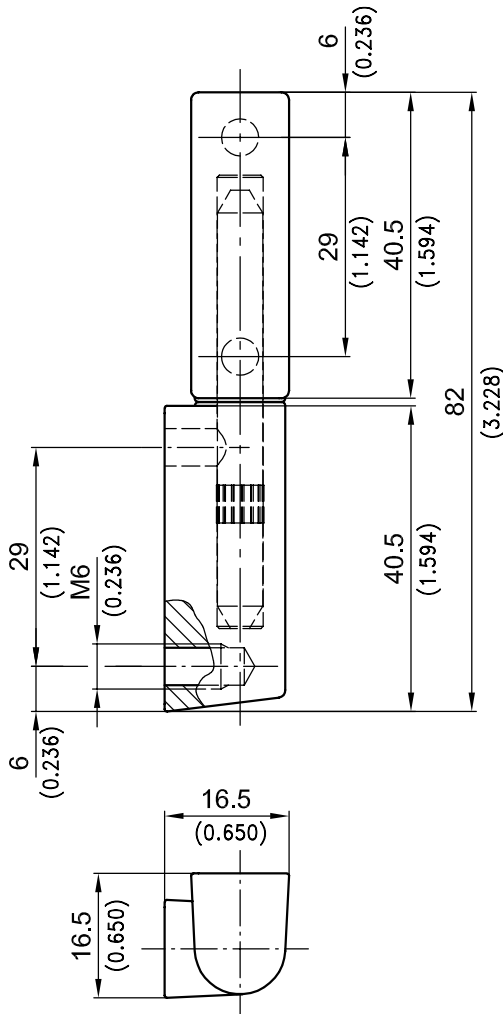
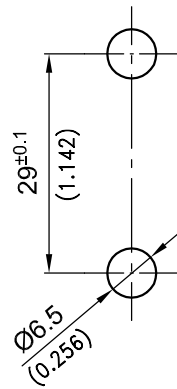


Example of application



Cutout



Elegant 180° corner hinge for surface mounted doors.

- 180° opening angle
- screw-on
- lift-off
- RH or LH application.

Material:

- **Corner hinge:** zinc die, E-COATED black matt
- **Other surfaces on request.**
- **Pin:** stainless steel

Corner hinge 224-9008.00-00000

Screws M6 are not included.

Hinge with D-SNAP technology see product system 4-285SL.

12/16/08

© copyright by DIRAK / Germany

