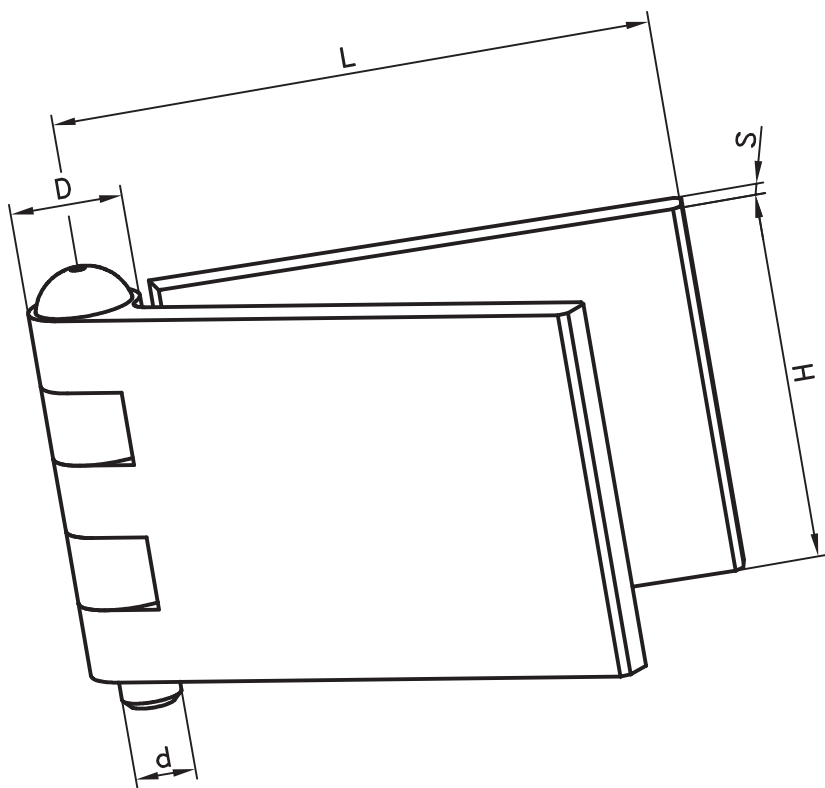


4-315 Hinge Pr01/02 180° for nested door



Weld-on Hinge for Heavy Duty applications, made from forged profile steel.

Material:
• Hinge: steel

Part No.	Height H	Length L	ØKnurl D	ØPin d	Thickness S
233-9101	40 / 1.575	60 / 2.362	12 / 0.472	6 / 0.236	5 / 0.197
233-9102	40 / 1.575	100 / 3.937	12	6	5
233-9103	50 / 1.969	60 / 2.362	12	6	5
233-9104	50 / 1.969	100 / 3.937	12	6	5
233-9201	50 / 1.969	80 / 3.150	15 / 0.591	8 / 0.315	6 / 0.236
233-9202 *	60 / 2.362	60 / 2.362	15	8	6
233-9203 *	80 / 3.150	80 / 3.150	15	8	6
233-9204 *	80 / 3.150	100 / 3.937	15	8	6

* Pin Ø8mm with lubricating nipple available on request.

Other dimensions or special shapes on request.

12/16/08

© copyright by DIRAK / Germany

