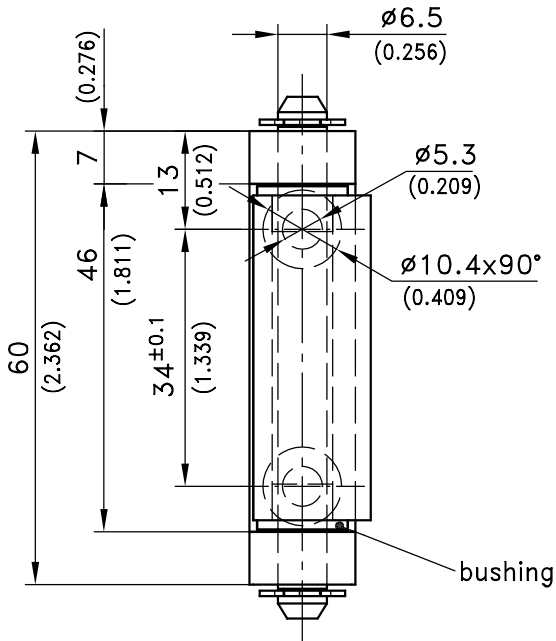
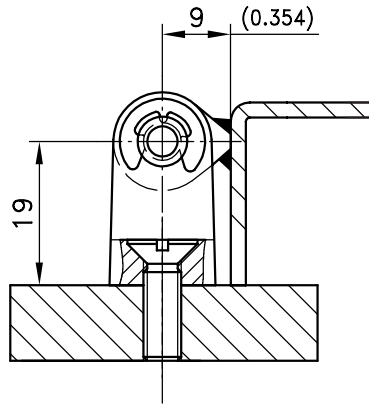


4-323 Hinge Pr04 180° for surface mounted door



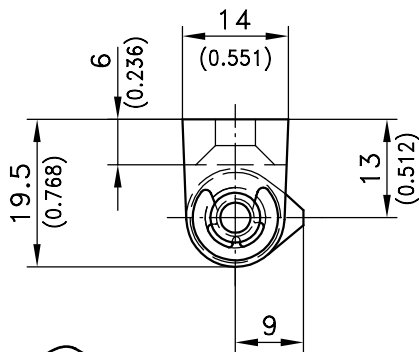
Example of application



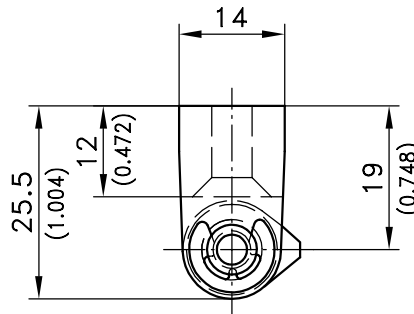
Hinge for surface mounted doors.

- Frame part: Screw-on
- Door part: Weld-on
- Pin pivots in polyamide bushings.

Normal frame part

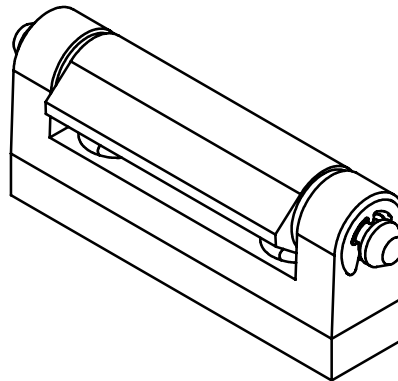
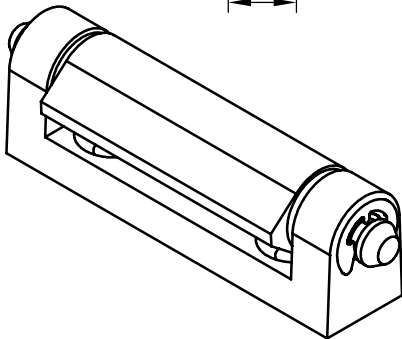


Raised frame part



Material:

- **Frame part:** zinc die, chrome plated or black coated
- **Door part:** mild steel, not plated
- **Pin:** steel, zinc plated
- **Bushings:** polyamide



Surface of frame part	Normal frame part	Raised frame part
chrome plated	217-9201	217-9203
black coated	217-9202	217-9204

Countersunk machine screws (clear and black zinc plated) refer to product system 6-041.

12/16/08

© copyright by DIRAK / Germany

