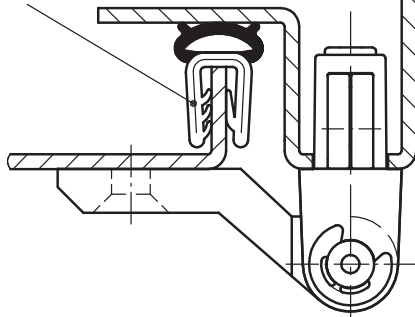


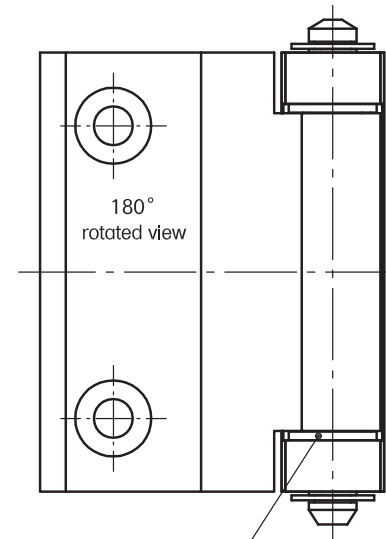
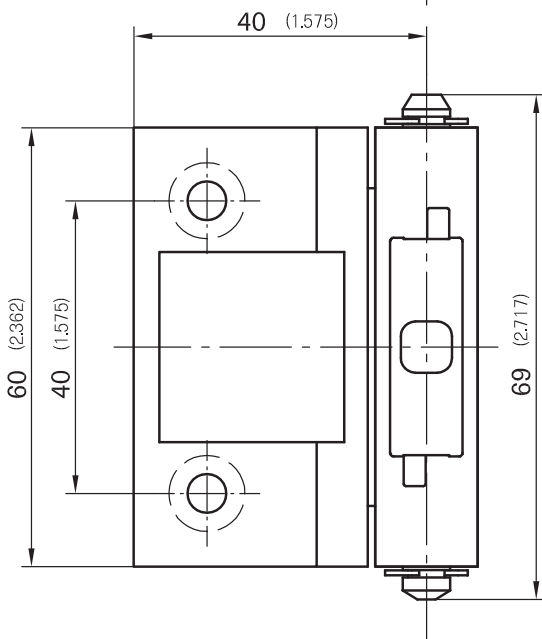
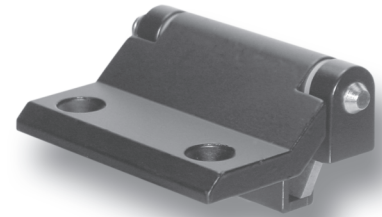
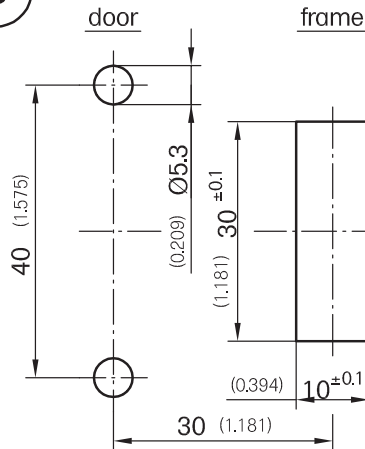
4-330SL Hinge Pr01 SNAP-LINE 180° Nested door

Example of application

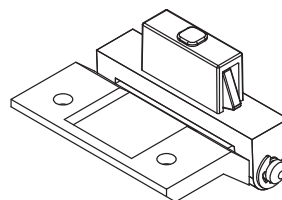
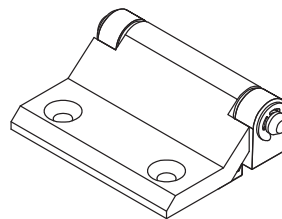
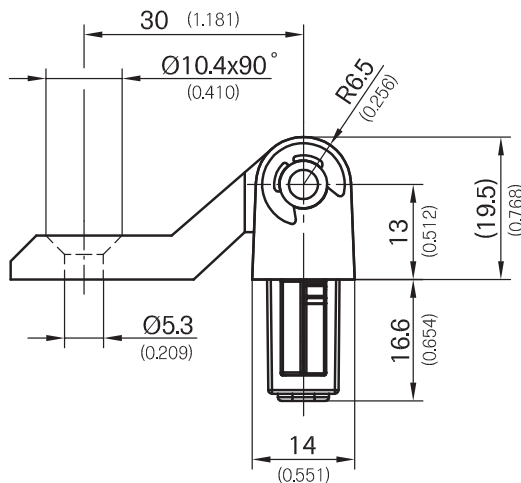
e.g.: 209-0201
product system 5-150



Hole pattern



PA bushings at both ends



180° Hinge SNAP-LINE
Frame part snap-in.

- Opening angle max. 180°.
- **Further details and dimensions see product system 4-330.**
- Cutout-Cover for cutout 30x10: 292-0401.00-03010.
- Reinforcement plate for thin-walled sheets and for higher loads: 292-0702.15-01030.
- Tool for uninstallation: 292-0306.80-02530.

Material:

- **Frame part and door part:** zinc die, black
- **Loose Pin:** steel, zinc plated
- **Fixed Pin:** stainless steel
- **Bushings:** PA, natural color
- **C-clips:** spring steel, zinc plated
- **Snap wedges:** sintermetal, plated
- **Spring:** spring steel
- **Plug:** PA, red

Hinge, snap-in	clamping range (S)	loose Pin (steel, zinc plated)	fixed Pin (stainless steel)
	1.2 - 1.7	417-9001.00-00015	417-9101.00-00015
	1.7 - 2.2	417-9001.00-00020	417-9101.00-00020
	2.2 - 2.7	417-9001.00-00025	417-9101.00-00025
	2.7 - 3.2	417-9001.00-00030	417-9101.00-00030

Countersunk screw see product system 6-041.

12/15/08

© copyright by DIRAK / Germany

