



6-501.01 2-Point Latch PHZ, horizontal



This patented unique 2-Point Latch PHZ combines design and functionality and provides a smooth closing action

Benefits:

- ▶ No protruding handle or knob.
- ▶ Perfectly suited to control flat rods.
- ▶ The key inserted into the profile-cylinder opens and closes the lock according to DIN 18252.
- ▶ Closing- and opening operation 180°.
- ▶ The key is removable only in the locked position.
- ▶ IP65 according to DIN EN 60529.
- ▶ Version DIN RH (as shown), Version DIN LH on request.

Material:

- ▶ **Housing, housing cover and slider:** zinc die, zinc plated
- ▶ **Screws:** steel, zinc plated
- ▶ **O-rings:** NBR, black
- ▶ **Flat external seal:** EPDM, black
- ▶ **Flat rod:** steel, zinc plated

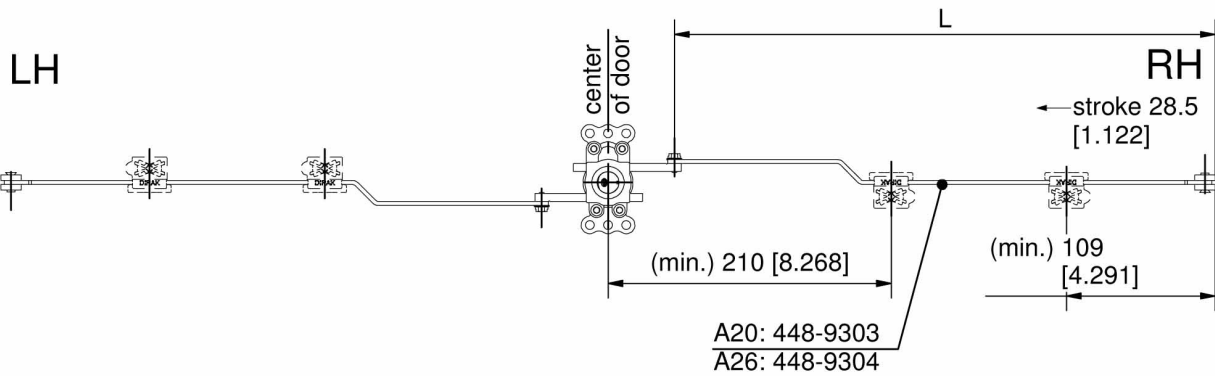
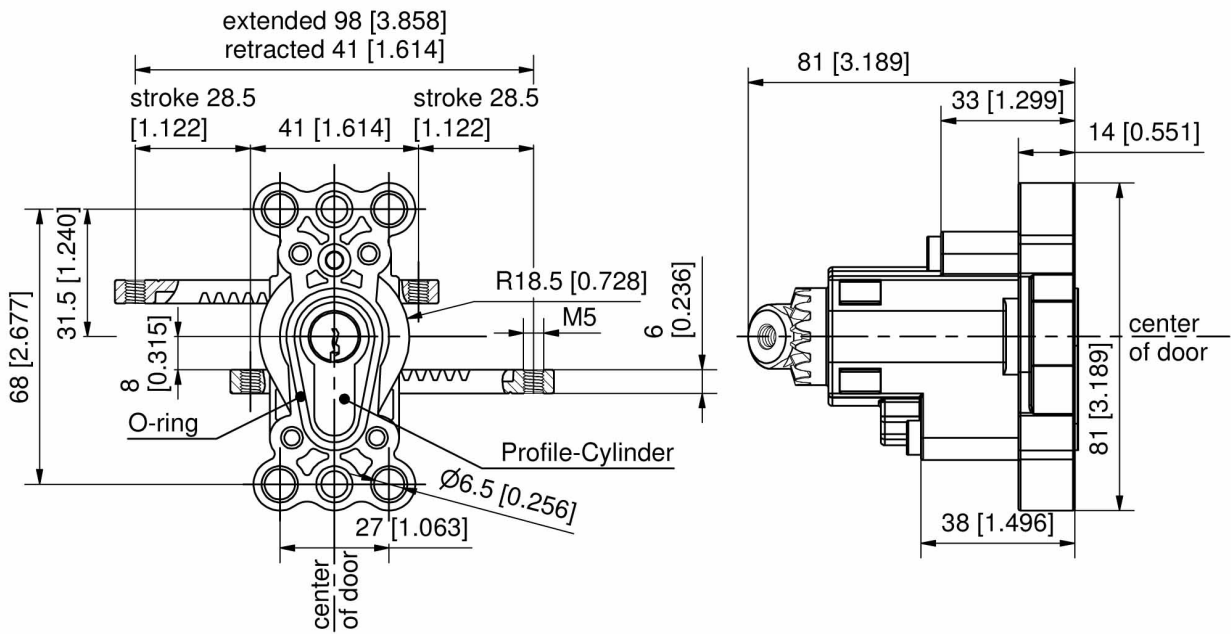


2-point latch PHZ (internal)

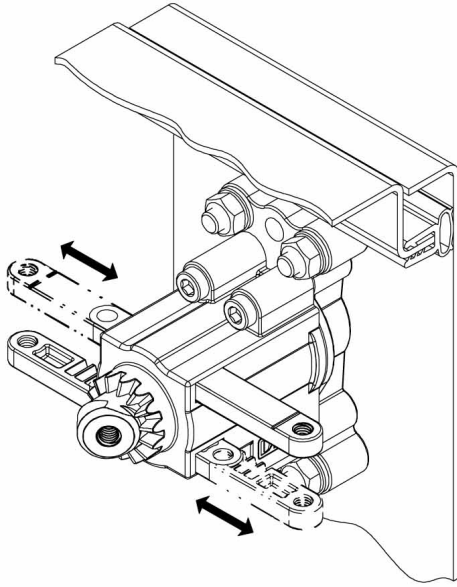
Part Number	Multi-point latch	Version
448-9125.00-00000	Yes	for flat rods

Complementary Products:

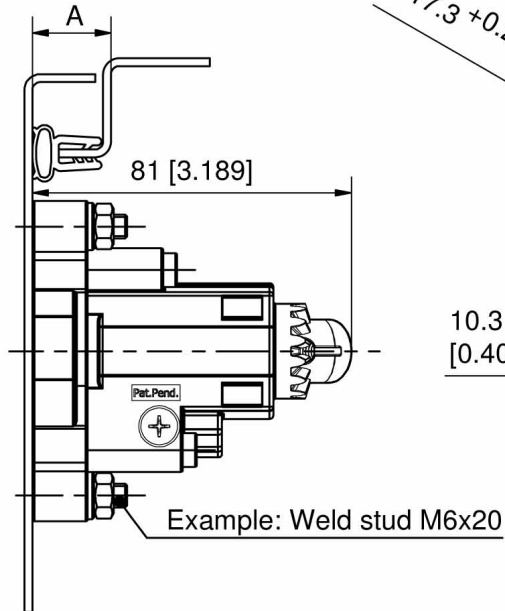
6-501	Flat Rod
3-911SL	Rod Guide FS SNAP-LINE
3-910	Flat Rod Guide FS
211-9001.00-00000	Profile-cylinder
211-9002.00-00000	Profile-cylinder



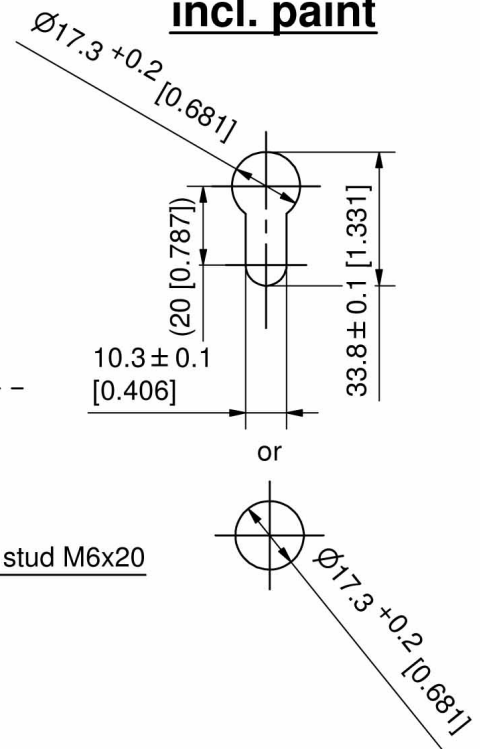
Operation



Example of application



Cutouts incl. paint



Rod formular:

$$L = \frac{\text{clearance of the cabinet} - 10\text{mm [0.394] (tolerance)} - 41 [1.614] \text{ (Rod Latch System in retraced condition)}}{2 [0.079]}$$

for 2-point latch PHZ 6-501.01 and flat rods with rollers, horizontal

