



6-502 Compression Latch PHZ with Lock Cover



Patented unique compression latch with ergonomically designed lock cover and magnet supported cylinder flap

Benefits:

- ▶ An ergonomically designed lock cover and magnet supported cylinder flap.
- ▶ Innovative locking solution on the inside of the door as a single point latch.
- ▶ The key inserted into the profile-cylinder opens and closes the lock according to DIN 18252.
- ▶ Closing- and opening operation 180°.
- ▶ The key is removable only in the locked position.
- ▶ 1300N of force at the latching point.
- ▶ Grounding with set screw DIN 914 (incl.).
- ▶ IP65 according to DIN EN 60529.
- ▶ Version DIN RH (as shown), Version DIN LH on request.
- ▶ (S) = max. 3mm.

Material:

- ▶ **Housing, slider and cam:** zinc die, zinc plated
- ▶ **Lock cover:** zinc die, matt chrome plated
- ▶ Other surfaces on request!
- ▶ **Clamp:** zinc die, untreated
- ▶ **Seal for cylinder flap:** CR
- ▶ **Roller:** POM, black
- ▶ **Washer, retaining clip, fastening screws and set screw:** steel, zinc plated
- ▶ **Shoulder bolt:** stainless steel
- ▶ **Gear cover:** PA6, black
- ▶ **O-rings:** NBR, black

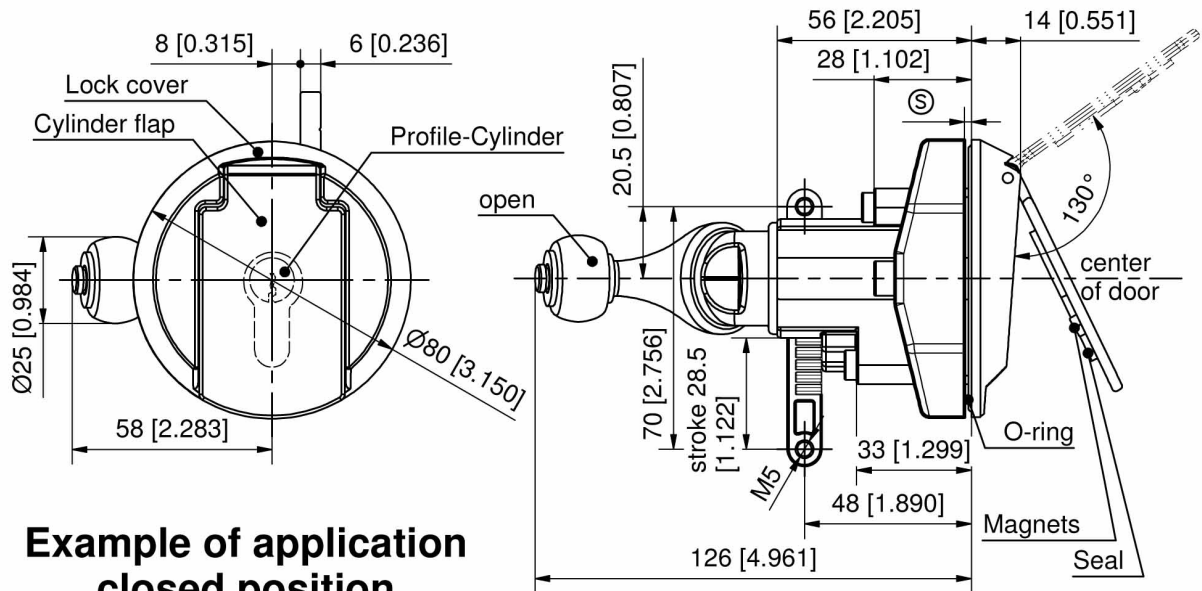


Compression Latch with cover

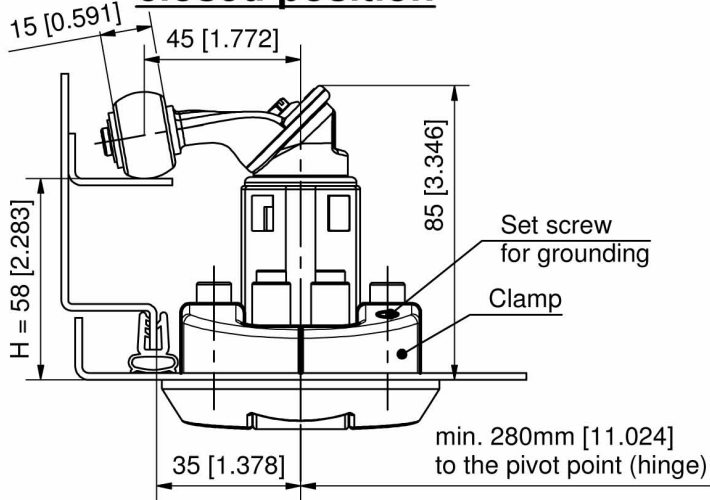
| Part Number | 1-point cam | Compression | Installation type | H-dimension | Version |
|-------------------|-------------|-------------|-------------------|-------------|-------------|
| 448-9114.00-00020 | Yes | Yes | screw-on | 58 mm | with cam 20 |

Complementary Products:

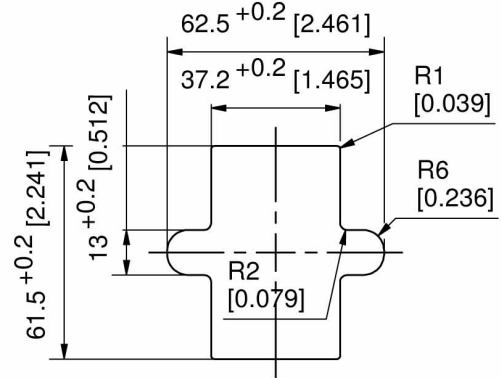
| | |
|-------------------|------------------|
| 211-9001.00-00000 | Profile-cylinder |
| 211-9002.00-00000 | Profile-cylinder |



Example of application closed position



Cutout incl. paint



Operation

