



7-078 Compression Latch Pr20.1



Elegant, low profile Compression latch

Benefits:

- ▶ Compression 6mm (0.236).
- ▶ Vibration-proof according to DIN EN 61373.
- ▶ The coloured marking on the casing top indicates the opened/closed position in form of a padlock.
- ▶ IP 65/67/69K according to DIN EN 60529/ DIN 40050.
- ▶ Foamed sealing PUR.
- ▶ RH and LH version.
- ▶ The H-dimension can be varied via the cranking of the cams.
- ▶ Negatively bent cams can not be installed pre-assembled.

Material:

- ▶ **Housing, insert, axle and nut:** stainless steel AISI 316
- ▶ **Grounding nut:** stainless steel AISI 316L
- ▶ **Cam and serrated screw:** stainless steel AISI 304



1. Foamed sealing PUR

Compression latch with insert, version RH

	Part Number	Insert	Door-thickness	Material	Surface	Grounding type	Installation type	Compression	Construction depth
a)	248-9100.00-00000	Square 6mm	max.22mm	stainless steel	stainless steel	Grounding nut	screw-on	6 mm	48 mm
a)	248-9101.00-00000	Square 7mm	max.22mm	stainless steel	stainless steel	Grounding nut	screw-on	6 mm	48 mm
a)	248-9102.00-00000	Square 8mm	max.22mm	stainless steel	stainless steel	Grounding nut	screw-on	6 mm	48 mm
a)	248-9103.00-00000	Double bit 3mm pin	max.22mm	stainless steel	stainless steel	Grounding nut	screw-on	6 mm	48 mm
a)	248-9104.00-00000	Double bit 5mm pin	max.22mm	stainless steel	stainless steel	Grounding nut	screw-on	6 mm	48 mm
a)	248-9105.00-00000	Triangular 6.5mm	max.22mm	stainless steel	stainless steel	Grounding nut	screw-on	6 mm	48 mm
a)	248-9106.00-00000	Triangular 7mm	max.22mm	stainless steel	stainless steel	Grounding nut	screw-on	6 mm	48 mm
a)	248-9107.00-00000	Triangular 8mm	max.22mm	stainless steel	stainless steel	Grounding nut	screw-on	6 mm	48 mm
a)	248-9109.00-00000	Hex.SW 11	max.22mm	stainless steel	stainless steel	Grounding nut	screw-on	6 mm	48 mm
a)	248-9108.00-00000	Conical square 9mm	max.22mm	stainless steel	stainless steel	Grounding nut	screw-on	6 mm	48 mm
a)	248-9110.00-00000	Conical triangular 7mm	max.22mm	stainless steel	stainless steel	Grounding nut	screw-on	6 mm	48 mm

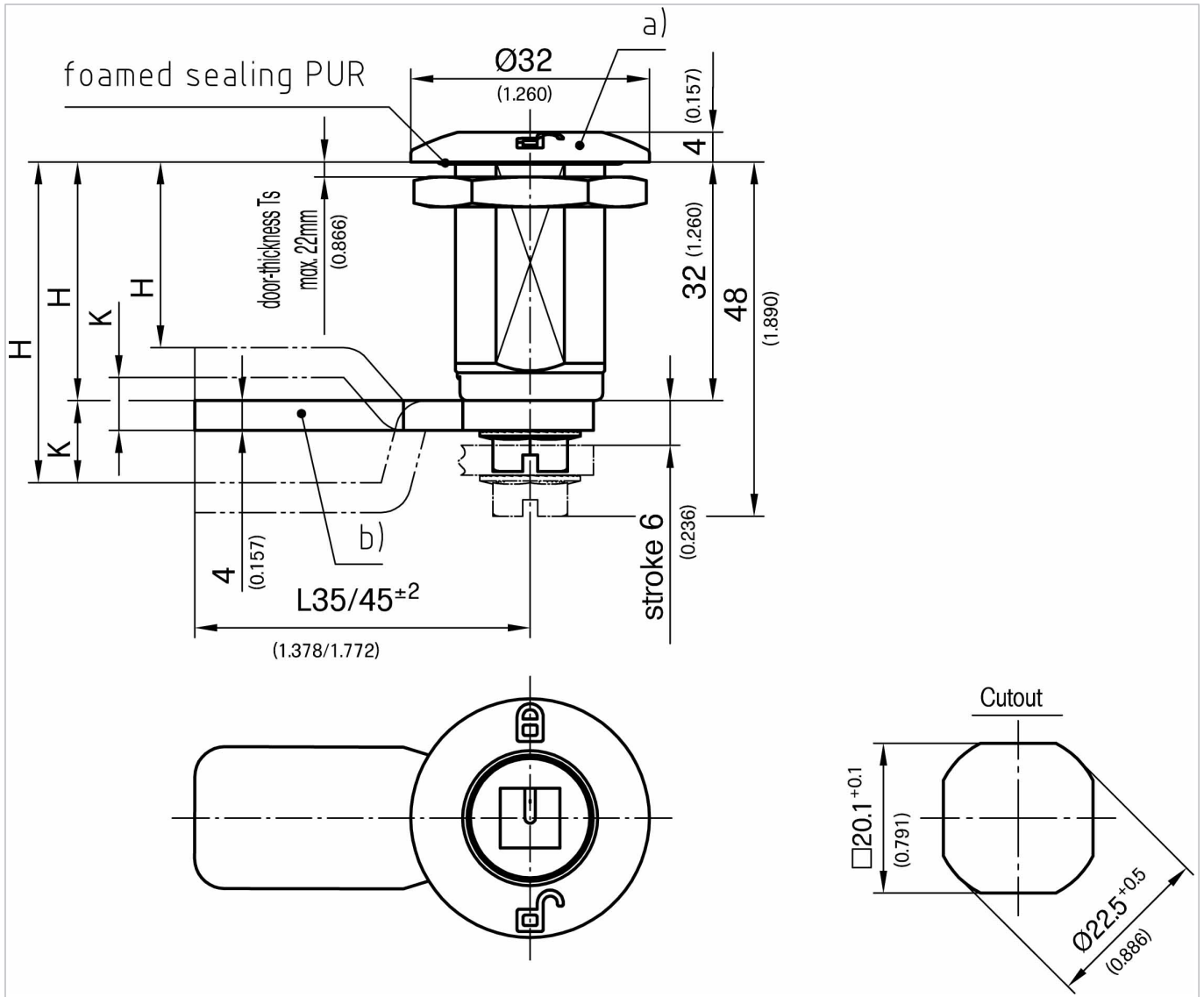
Compression latch with insert, version LH

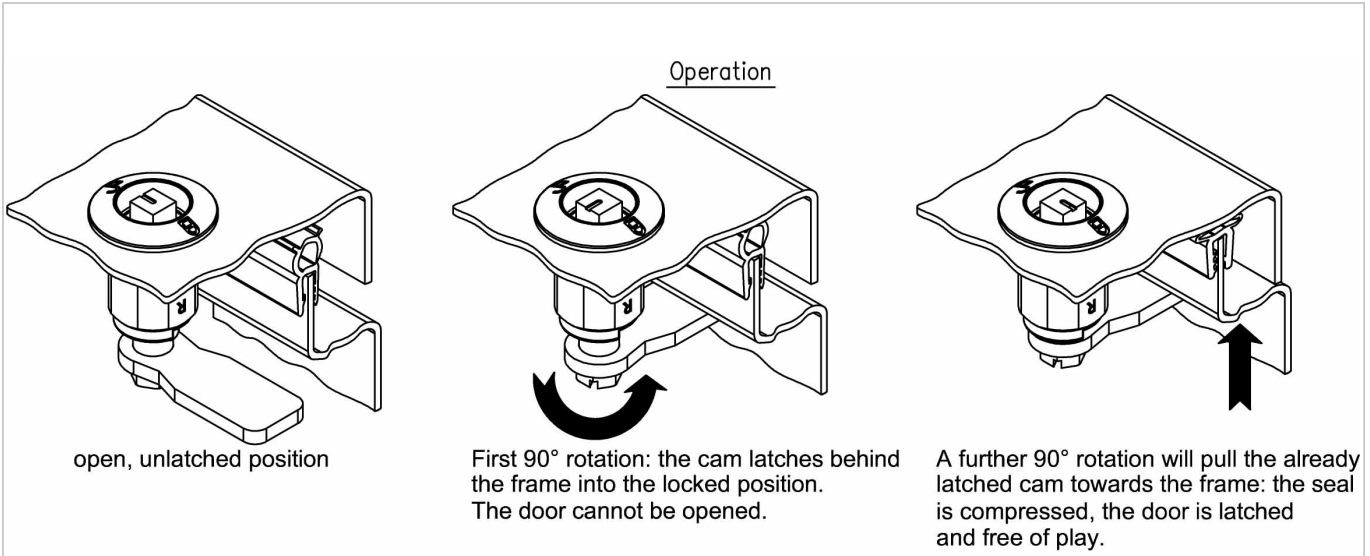
	Part Number	Insert	Door-thickness	Material	Surface	Grounding type	Installation type	Compression	Construction depth
a)	248-9150.00-00000	Square 6mm	max.22mm	stainless steel	stainless steel	Grounding nut	screw-on	6 mm	48 mm
a)	248-9151.00-00000	Square 7mm	max.22mm	stainless steel	stainless steel	Grounding nut	screw-on	6 mm	48 mm
a)	248-9152.00-00000	Square 8mm	max.22mm	stainless steel	stainless steel	Grounding nut	screw-on	6 mm	48 mm
a)	248-9153.00-00000	Double bit 3mm pin	max.22mm	stainless steel	stainless steel	Grounding nut	screw-on	6 mm	48 mm
a)	248-9154.00-00000	Double bit 5mm pin	max.22mm	stainless steel	stainless steel	Grounding nut	screw-on	6 mm	48 mm
a)	248-9155.00-00000	Triangular 6.5mm	max.22mm	stainless steel	stainless steel	Grounding nut	screw-on	6 mm	48 mm
a)	248-9156.00-00000	Triangular 7mm	max.22mm	stainless steel	stainless steel	Grounding nut	screw-on	6 mm	48 mm
a)	248-9157.00-00000	Triangular 8mm	max.22mm	stainless steel	stainless steel	Grounding nut	screw-on	6 mm	48 mm
a)	248-9159.00-00000	Hex.SW 11	max.22mm	stainless steel	stainless steel	Grounding nut	screw-on	6 mm	48 mm
a)	248-9158.00-00000	Conical square 9mm	max.22mm	stainless steel	stainless steel	Grounding nut	screw-on	6 mm	48 mm
a)	248-9160.00-00000	Conical triangular 7mm	max.22mm	stainless steel	stainless steel	Grounding nut	screw-on	6 mm	48 mm

Complementary Products:

200-4601.00-00000	Anti-rotation Device
200-4601.02-00000	Anti-rotation Device
200-4103.00-00000	Dust cap
6-100	Key
7-105.01	Cams L35/45 without Ramp and Stop

b)





Compression Latch with Cam and Accessories

248-91AA.00- X Y L CC

Insert version and Design:

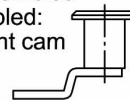
RH or LH
see table a)

Accessories on table a):

0 = without Accessories
 1 = Serrated lock washer 840-6798.00-00023
 2 = Dustcap 200-4103
 3 = Serrated lock washer +
 Dustcap

Assembling of Cam:

0 = without Cam
 1 = Cam not assembled
 3 = Cam assembled:
 positively bent cam



length of Cam:

0 = without Cam
 1 = L35
 2 = L45

Cranked Cam:

see table b)