



7-081.04HD Hygiene Compression Latch

Specially developed stainless steel Hygiene Compression Latch (HD, Hygienic Design) with insert square SW13, for applications in the food sector and hygienic areas

Benefits:

- ▶ Compression 4mm.
- ▶ Vibration-proof according to DIN EN 61373.
- ▶ The complete Quarter-Turn is certified and tested according to:GS-NV 2:2013/06 Principles for the testing of food processing machinesGS-NV 6:2013/06 Principles for the testing of hygiene requirements. Machine Ordinance: DIN EN 1672-2:2009.
- ▶ DGUV Test Certificate NV 13090.
- ▶ IP 65/67/69K according to DIN EN 60529 / DIN 40050.
- ▶ The compression latch is delivered with assembled cam.
- ▶ (S) = max. 4mm.

Material:

- ▶ **Housing, insert, nut, cam:** stainless steel AISI 316L
- ▶ **Seal:** silicone, blue, FDA conform (Food and Drug Administration)



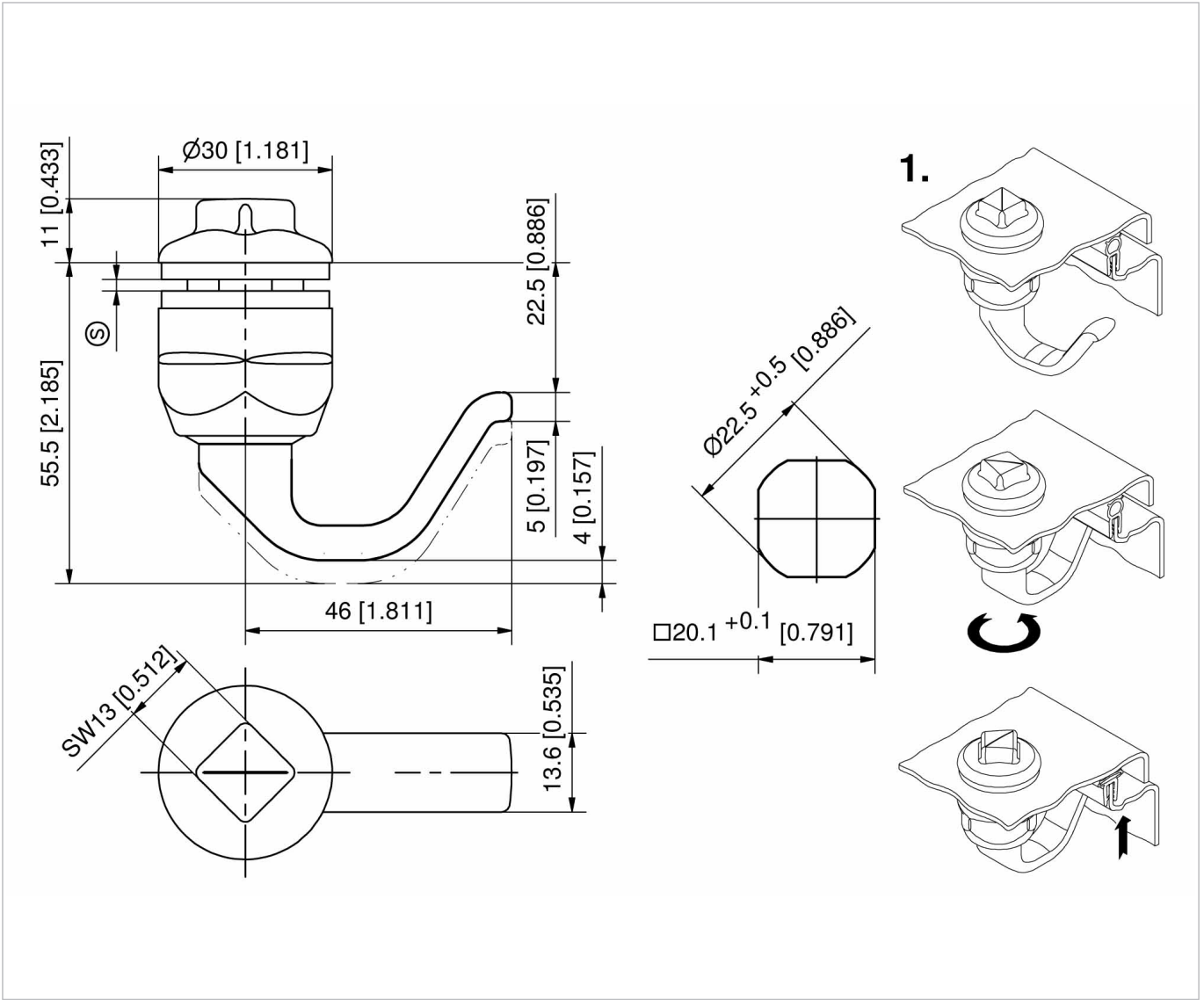
Hygiene compression latch

Part Number	Insert	Door-thickness	Material	Surface	Installation type	Version	Compression
100-9504.00-00000	SW13	max. 4mm	stainless steel	stainless steel	screw-on	RH	4 mm
100-9505.00-00000	SW13	max. 4mm	stainless steel	stainless steel	screw-on	LH	4 mm

Complementary Products:

7-081.01HD

Key SW13



certificate
no. **NV 13090**
dated 27.06.2013

Translation

DGUV Test Certificate

Name and address of the holder of the certificate: (customer) **DIRAK Dieter Ramsauer Konstruktionselemente GmbH**
Königsfelder Str. 1
D 58256 Ennepetal

Name and address of the manufacturer: **dto.**

Product designation: **HD-Drehriegel**

Type: **Drehriegel für Lochbild 20,1 x 22,5**

Intended purpose: **see associated test report**

Testing based on: **Hygiene requirements:
GS-NV 2:2013/06 Principles for the testing of food processing machines
GS-NV 6:2013/06 Principles for the testing of hygiene requirements
Neunte Verordnung zum Produktsicherheitsgesetz
(Maschinenverordnung)
DIN EN 1672-2:2009**

Remarks: **The certificate refers to the conception of the product described in the associated test report.

In das DGUV Test-Zeichen ist außer der Bescheinigungs-Nr. auch der Hinweis "Hygiene geprüft" einzufügen.**

The type tested complies with the test basis specified above.
The holder of the certificate is entitled to affix the DGUV Test-mark shown overleaf to the products complying with the type tested, including the specification given under the heading 'remarks'.

The present certificate is valid until: **26.06.2018**

Further provisions concerning the validity, the extension of the validity and other conditions are laid down in the Rules of Procedure for Testing and Certification of August 2012.

.....
Signature (Zertifizierer)

Postal address: Postfach 10 04 41 • 68136 Mannheim • Office: Dynamostraße 7-11 • 68165 Mannheim
Phone: 0621 4456-3430 • Fax: 0800197755316-625 • E-Mail: maschinensicherheit@bgn.de • www.pz.bgn.de
Our reference: 612.17 Bai/Rm • Produktschlüsselnummer: 91011

PZB08_E
07.10

In any case, the German original shall prevail.