

# 7-300 Telescopic Stay

stainless steel AISI 304

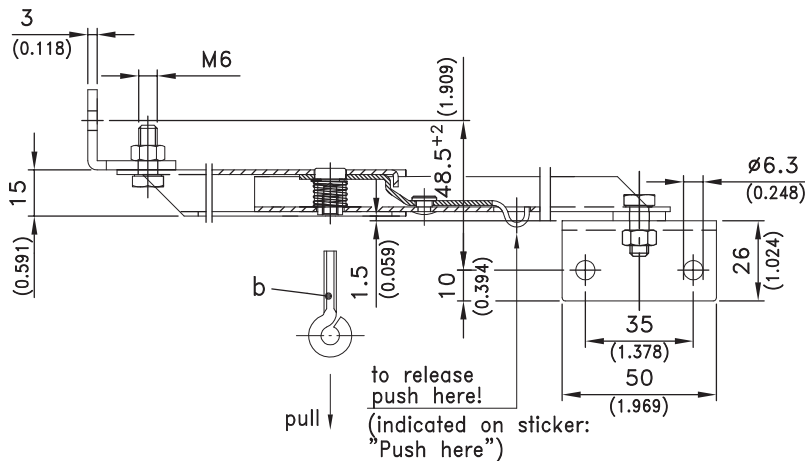
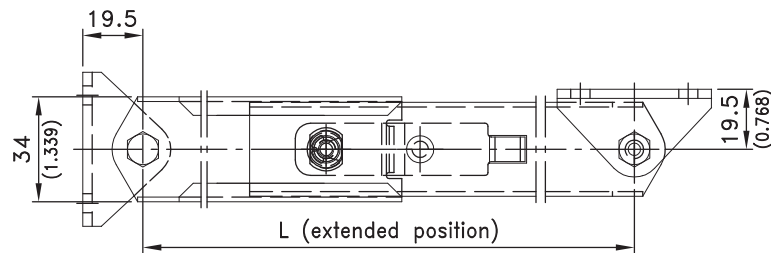
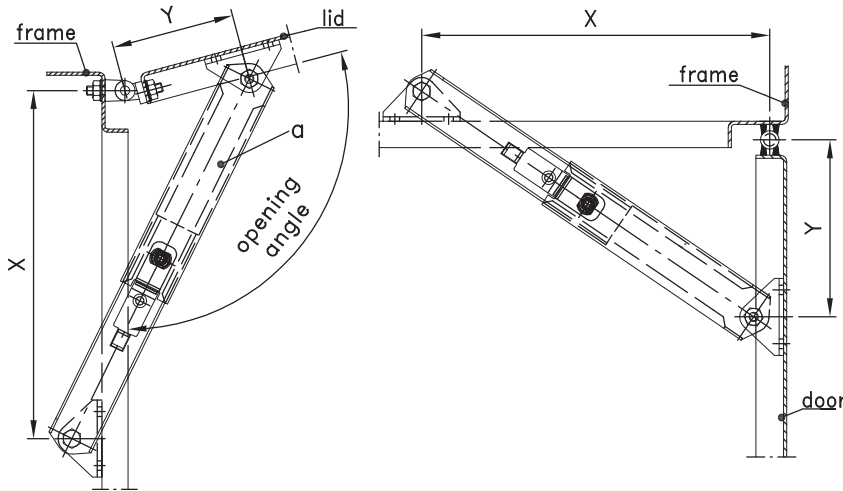


Telescopic Cover Stay for doors and lids.

- RH or LH application.
- For wide lids with 2 cover stays you can release the 2 stops by installing 2 eyelets connected by a steel wire.
- Dimensions X and Y determine the opening angle.
- An example is illustrated.

## Material:

- **Outer part, inner part, mounting bracket, snap lever, snap spike, spring and washer:** stainless steel AISI 304
- **Eyelet:** steel, zinc plated



	Length L, retracted	Length L, extended	Dimension X	Dimension Y	Opening angle	Part No.
a) Telescopic Stay	370	710	620	220	105°	230-9501.00-00000
a1) Telescopic Stay	215	355	315	100	105°	230-9502.00-00000
b) Eyelet						860-0048.07-00420

Other length L on request.