

## 2-400.01 Rod Latch



### Advantages

- For unlocking when swinghandle is closed.
- Rod latch with 20mm stroke.
- Door-thicknesses from 20 to 106mm.
- RH and LH version.
- Rod connection threaded M8 or M10.
- For swinghandle 130 see 2-400.

### Materials

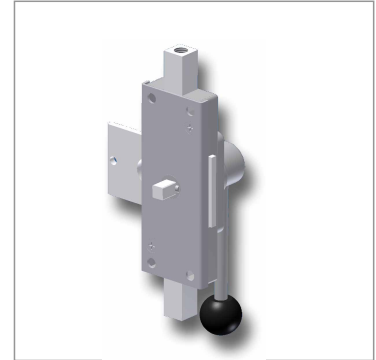
a) and b)

- **Rod latch:** zinc die / steel, zinc plated

### Remarks

For non-listed door-thickness <100mm: shorten square shaft.

**FORMULA:** dimension "X" = door thickness - 10  
 1.= stroke 20mm  
 2.= cam-stroke 22mm  
 3.= Fasting of the dish by countersunk screws (custom made)



## Rod latch with rod connection threaded M10, version RH

	Part Number	Version	Door-thickness	Stroke	Opening angle	Installation type
a)	238-9101.00-00000	for swinghandles	20,0 - 26,0 mm	20,0 mm	90°	screw-on
a)	238-9103.00-00000	for swinghandles	27,0 - 33,0 mm	20,0 mm	90°	screw-on
a)	238-9105.00-00000	for swinghandles	34,0 - 40,0 mm	20,0 mm	90°	screw-on
a)	238-9107.00-00000	for swinghandles	70,0 - 76,0 mm	20,0 mm	90°	screw-on
a)	238-9109.00-00000	for swinghandles	100,0 - 106,0 mm	20,0 mm	90°	screw-on

## Rod latch with rod connection threaded M10, Version LH

	Part Number	Version	Door-thickness	Stroke	Opening angle	Installation type
b)	238-9102.00-00000	for swinghandles	20,0 - 26,0 mm	20,0 mm	90°	screw-on
b)	238-9104.00-00000	for swinghandles	27,0 - 33,0 mm	20,0 mm	90°	screw-on

b)	238-9106.00-00000	for swinghandles	34,0 - 40,0 mm	20,0 mm	90°	screw-on
b)	238-9108.00-00000	for swinghandles	70,0 - 76,0 mm	20,0 mm	90°	screw-on
b)	238-9110.00-00000	for swinghandles	100,0 - 106,0 mm	20,0 mm	90°	screw-on

## Rod latch with rod connection threaded M8, Version RH

	Part Number	Version	Door-thickness	Stroke	Opening angle	Installation type
a)	238-9301.00-00000	for swinghandles	20,0 - 26,0 mm	20,0 mm	90°	screw-on
a)	238-9303.00-00000	for swinghandles	27,0 - 33,0 mm	20,0 mm	90°	screw-on
a)	238-9305.00-00000	for swinghandles	34,0 - 40,0 mm	20,0 mm	90°	screw-on
a)	238-9307.00-00000	for swinghandles	70,0 - 76,0 mm	20,0 mm	90°	screw-on
a)	238-9309.00-00000	for swinghandles	100,0 - 106,0 mm	20,0 mm	90°	screw-on

## Rod latch with rod connection threaded M8, Version LH

	Part Number	Version	Door-thickness	Stroke	Opening angle	Installation type
b)	238-9302.00-00000	for swinghandles	20,0 - 26,0 mm	20,0 mm	90°	screw-on
b)	238-9304.00-00000	for swinghandles	27,0 - 33,0 mm	20,0 mm	90°	screw-on
b)	238-9306.00-00000	for swinghandles	34,0 - 40,0 mm	20,0 mm	90°	screw-on
b)	238-9308.00-00000	for swinghandles	70,0 - 76,0 mm	20,0 mm	90°	screw-on
b)	238-9310.00-00000	for swinghandles	100,0 - 106,0 mm	20,0 mm	90°	screw-on

### \* Specific accessories

2-400 **Swinghandle for rod latch 2-400.01**

