



## 7-133 Hinge Pr05 180°



for single cabinets, door bending 16mm, for surface mounted door, stainless steel AISI 316

### Advantages

- 180° Hinge, RH or LH application.
- The POM pin is self-securing.
- 180° Opening angle.

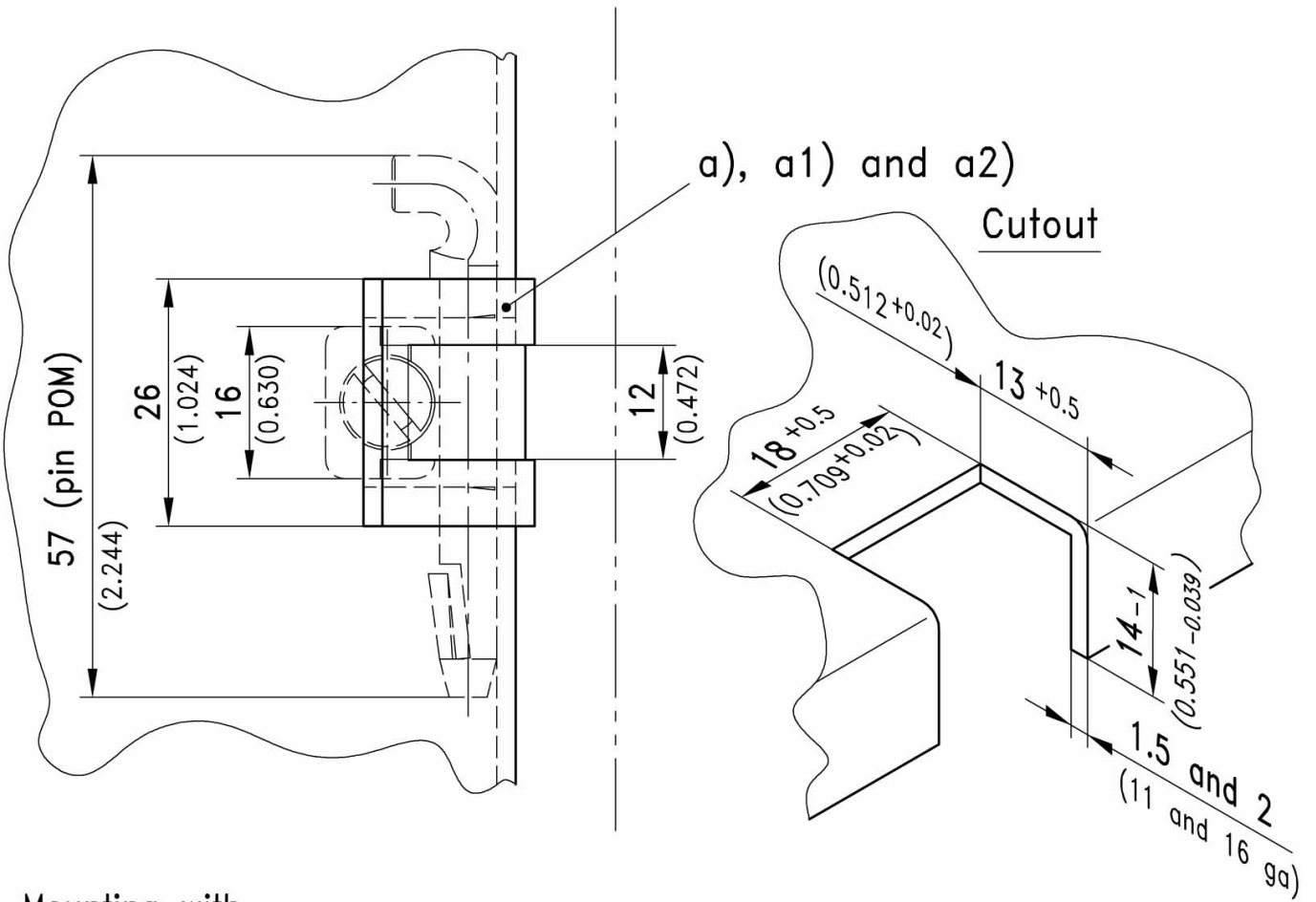
### Materials

- **Hinge parts: stainless steel AISI 316**
- **Pin: POM, natural or stainless steel**



## Pin Hinge

|     | Part Number       | Door-thickness | Material pin             | Pin version | Pin length L | Ø Pin d |
|-----|-------------------|----------------|--------------------------|-------------|--------------|---------|
| a)  | 212-9704.00-00000 | 1,5 mm         | stainless steel AISI 316 | loose       | 70,0 mm      | 6,0 mm  |
| a1) | 212-9713.00-00000 | 2,0 mm         | stainless steel AISI 316 | loose       | 70,0 mm      | 6,0 mm  |
| a2) | 212-9703.00-00000 | 2,0 mm         | POM                      | loose       | 57,0 mm      | 6,0 mm  |



Mounting with  
countersunk screw M5  
or rivet M5

