



7-123 Hinge Pr01 180°

for nested door, stainless steel AISI 304

Advantages

- Screw-on hinge for nested/flush door/frame construction.
- 3 nuts and serrated washers are included.
- 180° Opening angle.

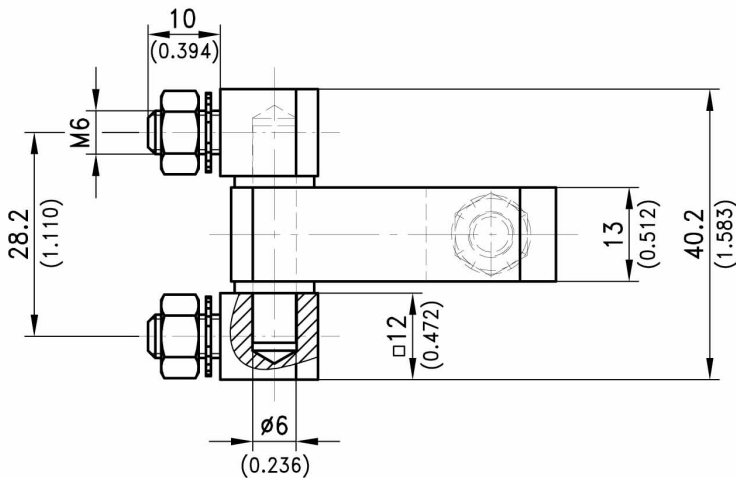
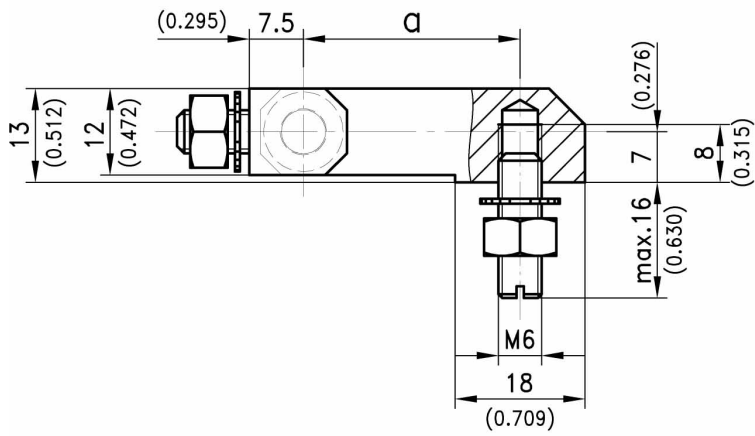
Materials

- **Head- and middle part, pin, nuts and washers:** stainless steel AISI 304



Pin Hinge

	Part Number	L	a	Material pin	Pin version	Installation type
a)	219-9006.00-00000	45,0 mm	30,0 mm	stainless steel	pressed in	screw-on
b)	219-9007.00-00000	53,0 mm	38,0 mm	stainless steel	pressed in	screw-on



Examples of application

